


1

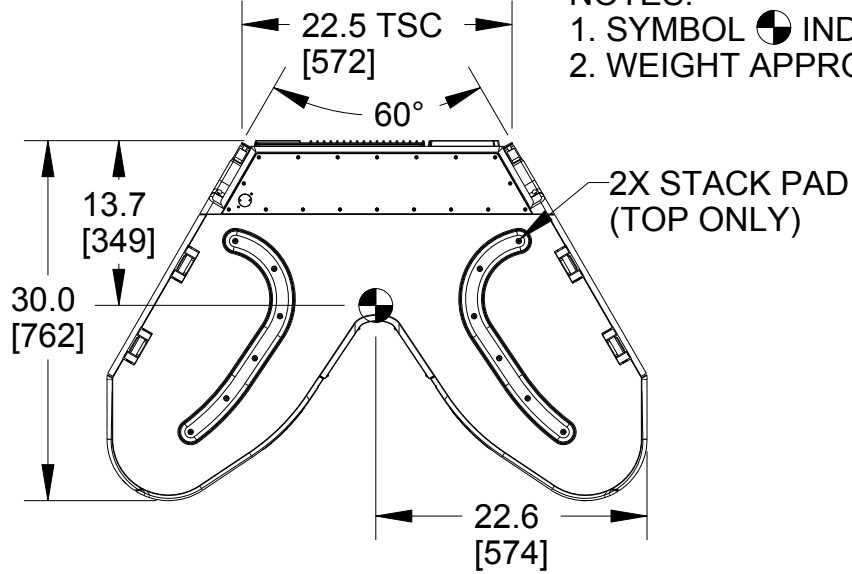
2

3

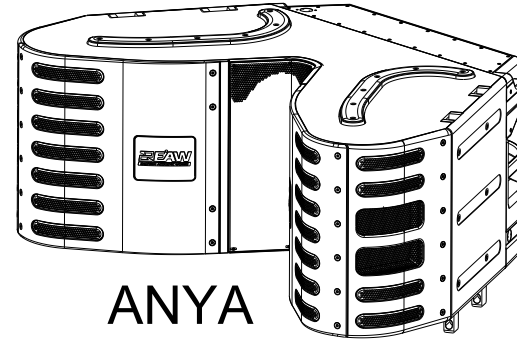
4

REV	CHANGE NUMBER	DATE
A	ECOWHT9582	7/3/2013

NOTES:
 1. SYMBOL  INDICATES CENTER OF BALANCE.
 2. WEIGHT APPROXIMATELY 285 lb [129.3 kg]



TOP/BOTTOM



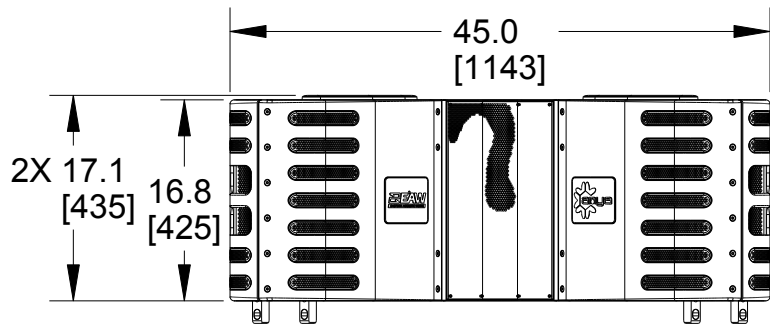
ANYA

C

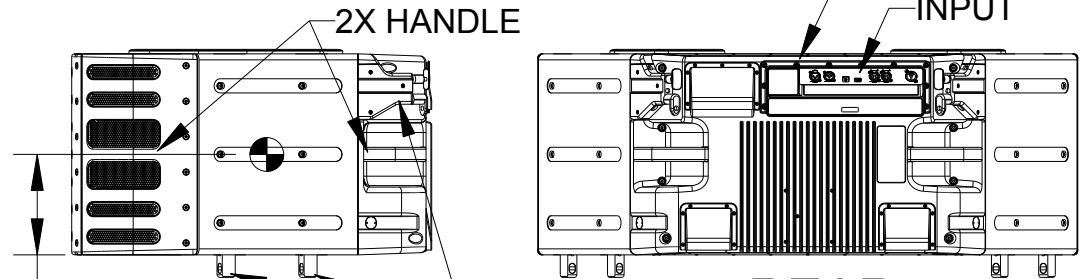
C

B

B



FRONT



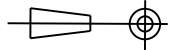
SIDE

REAR

PROPRIETARY, RETRACTABLE RIGGING SYSTEM

A

A

<p>THIRD ANGLE PROJECTION</p> 	<p>UNLESS OTHERWISE SPECIFIED: ALL DIMENSIONS ARE IN INCHES DUAL [MM] DIMENSIONS FOR REF ONLY</p> <p>TOLERANCE IN INCHES LINEAR ± 0.13 in / ± 3.3 mm ANGLES $\pm 1^\circ$</p> <p>(X.XX) = REF DIMS NO TOLERANCE IMPLIED</p> <p>TSC = THEORETICAL SHARP CORNER</p> <p>DIMENSIONS ACROSS CENTERLINES TO BE SYMMETRICAL</p>	<p>ZEAW www.eaw.com</p>	
		<p>TITLE: DWG CUSTOMER ANYA [MECHANICAL SPECIFICATION]</p>	
<p>THE INFORMATION CONTAINED HEREIN IS PROPRIETARY AND CONFIDENTIAL PROPERTY OF LOUD TECHNOLOGIES, INC. ALL RIGHTS RESERVED</p>	<p>DRAWING NUMBER: 2041070-CD</p>	<p>A SHEET 1 OF 1</p>	<p>SCALE: 0.063</p>
		<p>REVISION: A</p>	

1

2

3

4

PRO ENGINEER