



APPLICATION

- For small theaters
- Bi-amplified 2-way screen channel loudspeaker

PRODUCT INFORMATION

The CB152 2-way screen channel loudspeaker system fills small theaters with all the high-impact, full-range sound encoded on today's digital soundtracks while reproducing voices clearly and naturally.

The two component system includes a BV154C vented 15-in low frequency unit and an HK152 high frequency system – a medium format 90° x 90° HF horn loading a large diaphragm 1.4-in exit compression driver.

The HK152's medium format cinema HF horn ensures even distribution of HF information over the entire audience area.

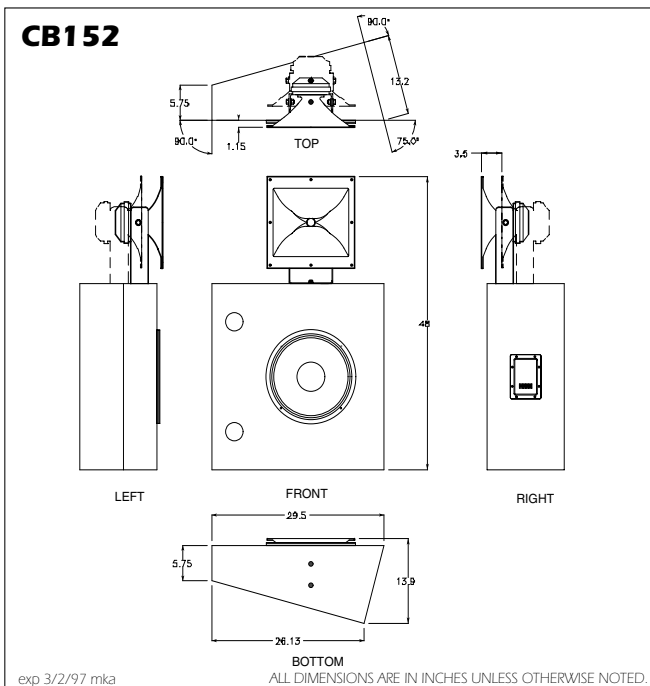
The BV154C's optimally vented enclosure uses the enclosure's resonance to increase LF response while limiting driver excursion. This method produces less distortion and minimizes driver strain while extending LF response to the lowest octaves.

The BV154C's asymmetrical enclosure design smooths response in the LF component's upper register and minimizes the potential for standing waves inside the enclosure. Left and right side enclosures can be placed flush to a back wall while still focusing their output to the audience area. The enclosure can be inverted to provide a right or left-handed angle.

The LF enclosure has 2 mounting points on both top and bottom to allow optimum front/rear positioning of the mid/high component for either right or left channel. The bracket allows the HF horn to be aimed independently of the LF section in both the horizontal and vertical planes and can be locked once it is positioned.

The LF section includes a 2-terminal barrier strip which accommodates bare wire, tinned leads or spade lugs. The HF component uses heavy duty spring-loaded push button type connectors. Input connectors for the LF section are located on the side of the enclosure for convenient access in cramped installation areas. HF input connectors are directly on the compression driver.

All components feature a textured black finish to eliminate the reflection of light through perforated cinema screens.



COMPONENTS & CONSTRUCTION

The CB152 is a two way, high-output, full range loudspeaker system intended for use in behind screen applications. It features a 15-in low frequency transducer mounted in a compact, vented enclosure and a titanium diaphragm compression driver mounted to a large diaphragm, 1.4-in throat, 90° x 90° coverage pattern, constant directivity horn.

The CB152 requires an external active electronic crossover. The recommended crossover point is 1200 Hz. Input connectors for the HF section are dual spring loaded push-button type, designed to accommodate bare or tinned leads, with a 2-terminal barrier strip for the LF section.

The low frequency enclosure is constructed of 3/4-in thick Medium Density Fiberboard. Extensive internal bracing is employed to minimize panel resonances resulting from the large acoustical energies generated within the enclosures. The enclosure and all external parts are coated with a black finish.

The high frequency horn is constructed from a specially formulated structural polyurethane foam which is non-resonant, lightweight and non-reflective. The LF enclosure has 2 mounting points on both top and bottom to allow optimum front/rear positioning of the mid/high component for either right or left channel. The adjustable steel bracket attaching the HF horn to the LF enclosure allows the HF horn to be aimed independently of the LF section in both the horizontal and vertical planes and can be locked once it is positioned.

DESCRIPTIVE DATA

LF Subsystem & Loading	1x 15-in, vented
HF Subsystem & Loading	1x 1.4-in exit compression driver on CD horn
Number of Audio Bands	2-way
Type of Audio Bands	Full Range
Powering Mode	Bi-amplified
System Crossover	Active (1200 Hz recommended) - EAW CX300-CB152
Recommended High-Pass Frequency (24 dB/Octave)	30 Hz
Cabinet Type (shape)	Modified trapezoid with externally mounted HF horn/driver assembly
Enclosure Materials	3/4-in MDF
Finish	Textured Black
Connectors	LF- 2 terminal barrier strip; HF - spring-loaded pushbutton (accepts bare wire)

NOMINAL DATA

Frequency Response (1 Watt @ 1m)		
±3 dB	45 Hz - 17 kHz	
Axial Sensitivity (dB SPL, 1 Watt @ 1m)		
LF	98	
HF	110	
Impedance (Ohms)		
LF	8	
HF	12	
Power Handling, AES Standard (Watts)		
LF	500	
HF	150	
Calculated Maximum Output (dB SPL @ 1m)		
LF Peak	131.0	
HF Peak	137.0	
LF Long Term	125.0	
HF Long Term	131.0	
Nominal Coverage Angle/-6 dB points (degrees)		
Horizontal	90	
Vertical	90	
Recommended Complementary Systems		
Sub	SB184C, SB185C, SB284C	
Dimensions		
	Inches	Centimeter
Height	45.50	115.6
Width	29.50	74.9
Depth	13.50	34.3
Weights		
	Pounds	Kilograms
Net Weight	95	43.1
Shipping Weight	107	48.5

