

PRODUCT INFORMATION

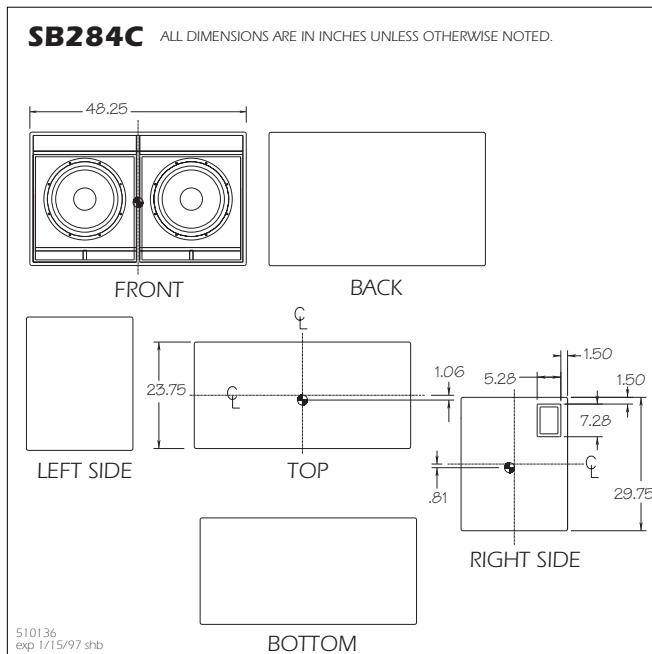


The SB284C cinema subwoofer loudspeaker system uses dual 18-in cone transducers each mounted in its own optimally vented sub-enclosure to fill large capacity theaters with high definition sub bass information at earth-shaking output levels. This system has been approved by the THX® division of Lucasfilm, Ltd., for use in THX-certified theaters.

The SB284C's optimally vented enclosure uses enclosure resonance to increase sub bass response while limiting driver excursion. This method produces less distortion and minimizes driver strain while extending sub bass response to the lower limits of human hearing. Special effects will have greater clarity, greater power and greater impact.

Each 18-in woofer is individually accessible via a two-terminal barrier strip, which accomodates bare wire, tinned leads or spade lugs, located on the side of the enclosure for convenient access in cramped installation areas.

The use of multiple SB284C's provides even greater output capability and further extends low frequency response. All external components feature a textured black finish to eliminate the reflection of light through perforated cinema screens.



THX is a registered trademark of Lucasfilm, . Ltd.



COMPONENTS & CONSTRUCTION

The SB284C is a high output, extended bandwidth subwoofer optimized specifically for cinema use. It features dual high-power 18-in low frequency transducers, each mounted in its own optimally vented subenclosure.

The enclosure is constructed of 3/4-in Medium Density Fiberboard except for the baffle plate which is 15mm, void-free, cross-grain-laminated birch plywood. Extensive internal bracing is employed to minimize panel resonances resulting from the large acoustical energies generated within the enclosure and maximize acoustical energy transfer.

Input connectors are 2-terminal barrier strip, designed to accommodate bare wire, tinned leads or spade lugs. The enclosure is finished in textured black non-reflective paint.

DESCRIPTIVE DATA

Sub Subsystem & Loading	2x 18-in, vented
Cabinet Type (shape)	Rectangular
Enclosure Materials	3/4-in MDF, 15mm birch baffle
Finish	Textured Black
Connectors	Dual-terminal barrier strips
Grill	Vinyl Coated Perforated Steel

NOMINAL DATA

Frequency Response (1 Watt @ 1m)		
	±3 dB	30 Hz - 300 Hz
Axial Sensitivity (dB SPL, 1 Watt @ 1m)		
		99
Impedance (Ohms)		
		4
Power Handling, AES Standard (Watts)		
		1600
Calculated Maximum Output (dB SPL @ 1m)		
	Peak	137.0
	Long Term	131.0
Dimensions	Inches	Centimeters
	Height	29.75 75.6
	Width	48.25 122.6
	Depth	23.75 60.3
Weights	Pounds	Kilograms
	Net Weight	218 98.9
	Shipping Weight	233 105.7

