



TECHNICAL SPECIFICATIONS JF560e

DESCRIPTION

A 2-way full range system in a vented trapezoidal enclosure. Includes a 15-in woofer and a 2-in exit compression driver on a 60 x 45 constant directivity horn. Powering mode is switchable: passive (LF/HF crossover) or biamplified.

APPLICATIONS

The JF560e offers concert-level output combined with natural, undistorted reproduction. Effective in portable or permanent nearfield applications requiring higher directivity and LF impact. Flytracks, mounting/suspension points, stand mount cup. Six year warranty.

Applications include:

- Band PA
- Ballroom Events
- Corporate Events
- Small Theaters
- Live Music Clubs
- Convention Centers

DESCRIPTIVE DATA

Part Number	999064
Product Group	J
LF Subsystem & Loading	1x 15-in, Vented
HF Subsystem & Loading	1x 2-in Exit Compression Driver on Constant Directivity Horn
System Configuration	2-way, Full Range
Powering Configuration(s)	Switchable: Full Range (passive LF/HF crossover) or Biamplified
Controls (switches, knobs)	Powering Mode Switch
Recommended High-Pass Frequency (24 dB/Octave)	40Hz
Cabinet Type (shape)	Trapezoidal
Enclosure Materials	Baltic Birch Plywood
Finish	Black Catalyzed Polyurethane
Connectors	2x Neutrik NL4 Speakon
Suspension Hardware	(4) 3-Position Flytracks with integral 3/8"-16 Threaded Mounting/Suspension Points (2 top, 2 bottom)/(2) 3-Position Flytracks (back)/(6) 3/8"-16 Threaded Mounting/Suspension Points (1 each top and bottom, 2 per side)/Recessed Cup for Standmount (bottom)
Grill	Foam Backed Vinyl Coated Perforated Steel
Options	179001 Flyclip with ring 179002 Flyclip with hook



NOMINAL DATA

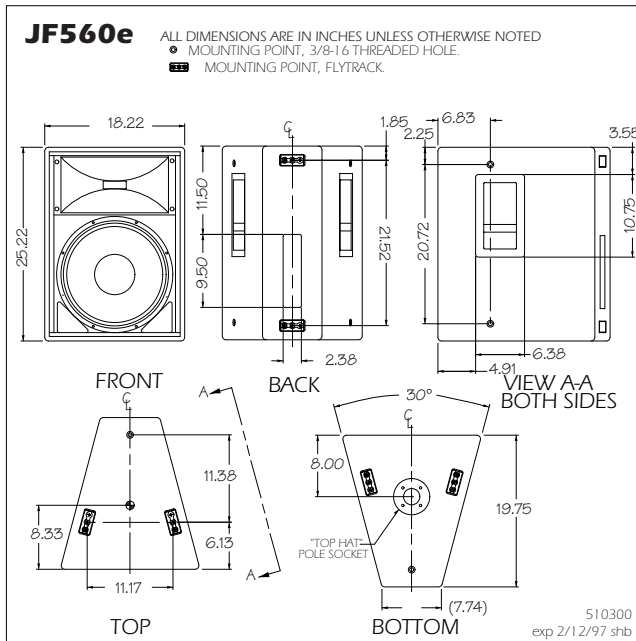
Frequency Response (Hz)		
±3 dB	60Hz to 18kHz	
-10 dB	50Hz	
Axial Sensitivity (dB SPL/1 Watt/1m)		
Full Range	98	
Biamped LF	98	
Biamped HF	106	
Impedance (Ohms)		
Full Range Passive	8	
Biamped LF	8	
Biamped HF	12	
Power Handling, AES Standard (Watts)		
Full Range	500	
Biamped LF	800	
Biamped HF	200	
Calculated Maximum Output (dB SPL, @ 1m)		
Full Range Peak	131.0	
Biamped LF Peak	133.0	
Biamped HF Peak	135.0	
Full Range Long Term	125.0	
Biamped LF Long Term	127.0	
Biamped HF Long Term	129.0	
Nominal Coverage Angle / -6 dB points (degrees)		
Horizontal	60	
Vertical	45	
Dimensions		
	inches	millimeters
Height	25.22	641
Width (Front)	18.22	463
Width (Rear)	7.75	197
Depth	19.75	502
Trapezoid Angle	15 degrees per side	
Weights		
	pounds	kilograms
Net Weight	90	41.0
Shipping Weight	98	44.6





TECHNICAL SPECIFICATIONS JF560e

DIMENSIONAL DRAWING



SERVICE ITEMS

LF: Complete Cone Driver

EAW Part No. 804055

HF: Complete Compression Driver/Tweeter

EAW Part No. 803028

Filter/Crossover Network: Complete Assembly

EAW Part No. 225149

ARCHITECTURAL SPECIFICATIONS

The two-way full range loudspeaker systems shall incorporate 15-in LF transducer and a 2-in exit compression driver HF transducer.

The LF driver shall be mounted in a vented enclosure tuned for optimum low frequency response. The HF driver shall be loaded on constant directivity horn with a nominal coverage pattern of 60° (h) x 45° (v). In passive mode, an internal passive filter network shall provide fourth order acoustical crossover and system equalization.

System frequency response shall vary no more than ± 3 dB from 60 Hz to 18 kHz measured on axis. In passive mode, the loudspeaker shall produce a Sound Pressure Level (SPL) of 98 dB SPL on axis at 1 meter with a power input of 1 Watt, and shall be capable of producing a peak output of 131 SPL on axis at 1 meter. It shall handle 500 Watts of amplifier power (AES Standard) and shall have a nominal impedance of 8 Ohms.

In biamped mode, the low frequency section shall produce a Sound Pressure Level (SPL) of 98 dB SPL on axis at 1 meter with a power input of 1 Watt, and shall be capable of producing a peak output of 133 SPL on axis at 1 meter. It shall handle 800 Watts of amplifier power (AES Standard) and shall have a nominal impedance of 8 Ohms.

In biamped mode, the high frequency section shall produce a Sound Pressure Level (SPL) of 106 dB SPL on axis at 1 meter with a power input of 1 Watt, and shall be capable of producing a peak output of 135 SPL on axis at 1 meter. It shall handle 200 Watts of amplifier power (AES Standard) and shall have a nominal impedance of 12 Ohms.

The loudspeaker enclosure shall be trapezoidal in shape. It shall be constructed of 15mm thickness void-free cross-grain-laminated Baltic birch plywood and shall employ extensive internal bracing. It shall be finished in black catalyzed polyurethane. Input connectors shall be dual Neutrik NL4 Speakon. The system shall include a switch allowing it to be operated in biamp or passive Powering mode. The following mounting/suspension hardware shall be provided: four 3-position flytracks with integral 3/8"-16 threaded mounting/suspension points (2 top, 2 bottom), two 3-position flytracks (back), six 3/8"-16 threaded mounting/suspension points (1 each top and bottom, 2 per side), a recessed cup for a standmount (bottom). The front of the loudspeaker shall be covered with a vinyl coated perforated steel grill backed with open cell foam to protect against dust.

The two-way full range loudspeaker shall be the EAW model JF560e.