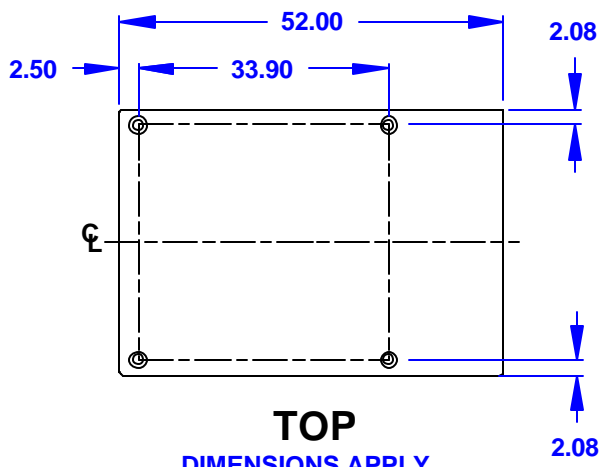
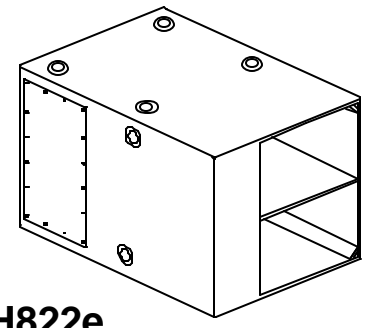


REV	DESCRIPTION	APVD/DATE
2	CHANGED MOUNTING POINT DIMENSION FROM 2.08 TO 2.50 SEE TOP VIEW PER ECO 5152 SS 3/26/01	KFH 3/27/01
C	ORACLE REVISION CONVERSION. DRAWING WAS REVISION 2 UPDATED PER ECO #5151 DM 9/17/01	JWB 9/17/01

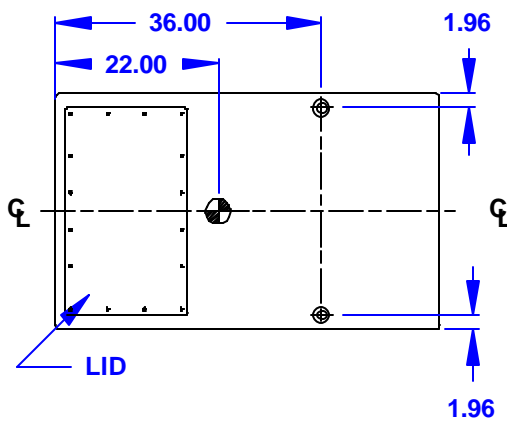


TOP
DIMENSIONS APPLY TO TOP & BOTTOM

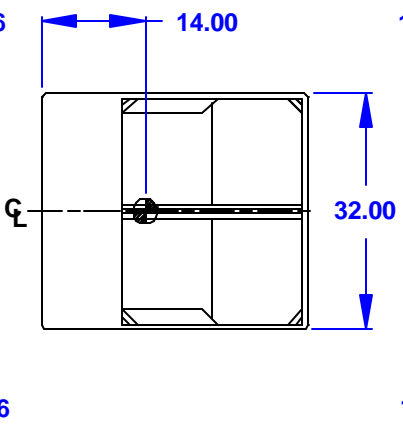
- NOTES:**
1. SYMBOL INDICATES MOUNTING POINT, 3/8-16 THREADED HOLE.
 2. SYMBOL INDICATES CENTER OF BALANCE
 3. WEIGHT APPROX. 293 LBS
 4. SHIPPING WEIGHT APPROX. 315 LBS



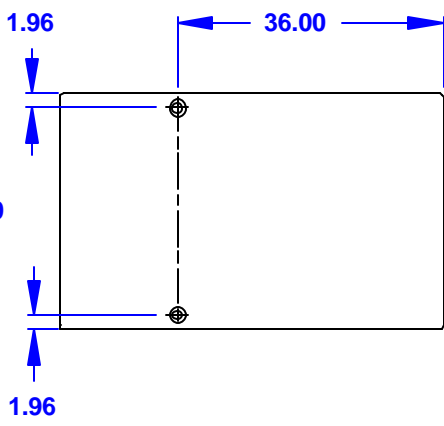
BH822e



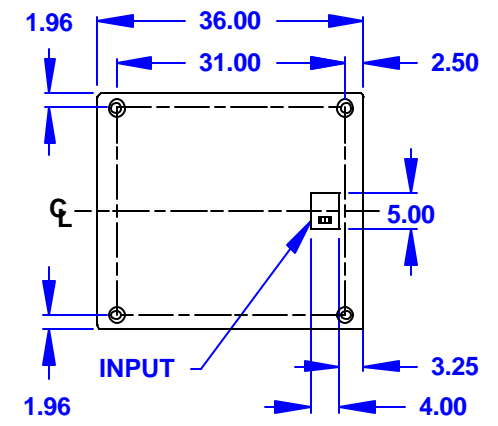
LEFT SIDE



FRONT



RIGHT SIDE



BACK

DOCUMENT CONTROL PER SPECIFICATION 4.5.201

	UNLESS OTHERWISE SPECIFIED: ALL DIMENSIONS ARE IN INCHES TOLERANCE IN INCHES .XX ± .13 ANGLES ±1° {X.XX} = REF DIMS NO TOLERANCE IMPLIED T.S.C.—THEORETICAL SHARP CORNER DIMENSIONS ACROSS CENTERLINES TO BE SYMMETRICAL	STATUS: PRODUCTION		EASTERN ACOUSTIC WORKS ONE MAIN STREET WHITINSVILLE, MA 01588 USA	
		APPROVALS	DATE		TITLE: CABINET/FINISHED/BH822e [MECHANICAL SPECIFICATION]
THIS DRAWING IS THE PROPERTY OF EAW AND SHALL NOT BE COPIED, REPRODUCED, OR USED AS THE BASIS FOR MANUFACTURE OR SALE OF APPARATUS WITHOUT WRITTEN AUTHORIZATION. DO NOT SCALE DRAWING.		DRAWN: JRM	12/08/98	SHEET 1 OF 1	SCALE: 1 TO 26
		CHECKED: KFH	12/08/98	DRAWING NUMBER: 510708	REVISION: C
		DES ENG: DWG	12/08/98		
		MFG ENG: CAC	12/08/98		