

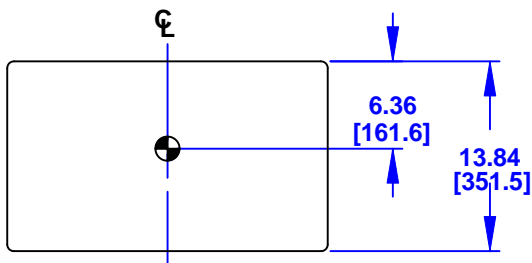


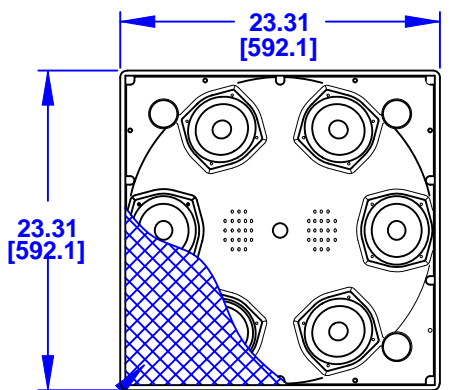
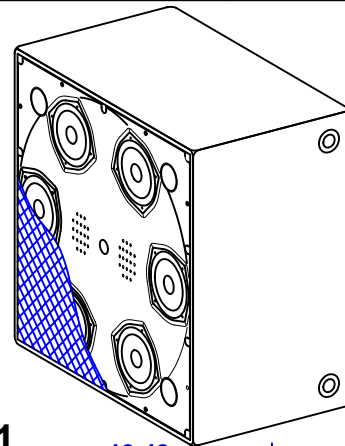
NOTES:

- 1. SYMBOL  INDICATES MOUNTING POINT, 3/8-16 THREADED HOLE (PI ANGLE).
- 2. SYMBOL  INDICATES CENTER OF BALANCE.
- 3. WEIGHT APPROX. 75 LBS [34.0 Kg].
- 4. SHIPPING WEIGHT APPROX. 84 LBS [38.1Kg].

REV	DESCRIPTION	APVD/DATE
0	UPGRADE TO PRODUCTION AND CURRENT FORMAT PER DSR 00-194 MFL 2/29/00	KFH 3/21/00
A	ORACLE REVISION CONVERSION DRAWING WAS REV 0 PER ECO 5151 SS 6/11/01	SS 6/11/01
B	75lbs WAS 60lbs, 84lbs WAS 63lbs, ADDED DUAL DIMENSIONS AND CHANGED TOLERANCE BLOCK PERECOWHT 3987 CA 11/16/05	RS 11/23/05

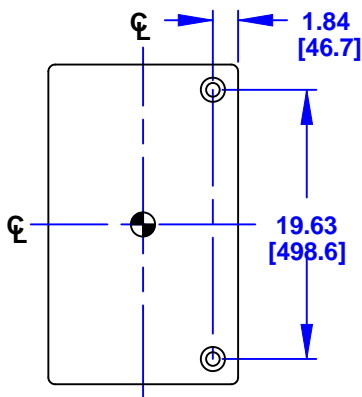


TOP

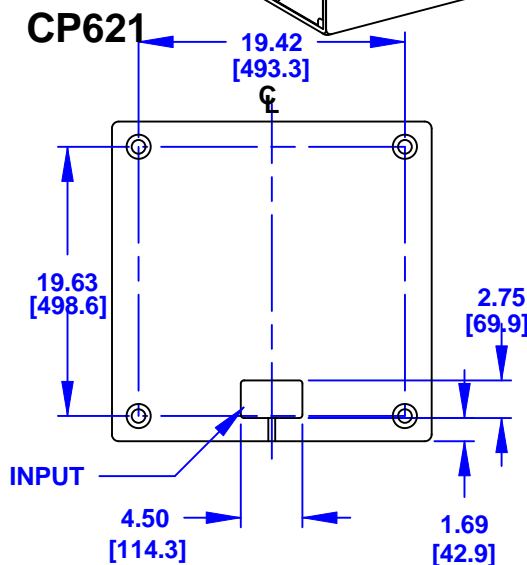


GRILLE PARTIALLY SHOWN

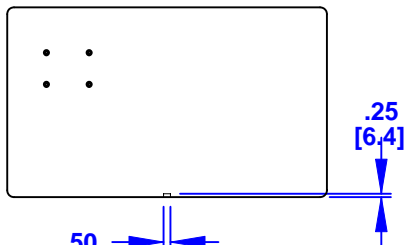
FRONT



RIGHT SIDE
DIMENSIONS APPLY TO BOTH SIDES



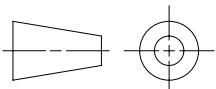
BACK



BOTTOM

DOCUMENT CONTROL PER SPECIFICATION 4.5.201

THIRD ANGLE PROJECTION



UNLESS OTHERWISE SPECIFIED:
ALL DIMENSIONS ARE INCHES [MILLIMETERS]

TOLERANCES
LINEAR ± 0.13 in/ ± 3.3 mm
ANGLES ± 1°

(X.XX) = REF DIMS
NO TOLERANCE IMPLIED
TSC=THEORETICAL SHARP CORNER
DIMENSIONS ACROSS CENTERLINES
TO BE SYMMETRICAL

STATUS: **PRODUCTION**

APPROVALS	DATE
DRAWN: JRM	2/25/97
CHECKED: KFH	3/21/00
DES ENG: ZC	3/27/00
MFG ENG: CAC	3/28/00

EA EASTERN ACOUSTIC WORKS
ONE MAIN STREET
WHITINSVILLE, MA 01588 USA

TITLE:
CABINET/FINISHED/BLACK/CP621
[MECHANICAL SPECIFICATION]

A	SHEET 1 OF 1	SCALE: 1 TO 14
DRAWING NUMBER: 510175		REVISION: B

THIS DRAWING IS THE PROPERTY OF EAW AND SHALL NOT BE COPIED, REPRODUCED, OR USED AS THE BASIS FOR MANUFACTURE OR SALE OF APPARATUS WITHOUT WRITTEN AUTHORIZATION. DO NOT SCALE DRAWING.