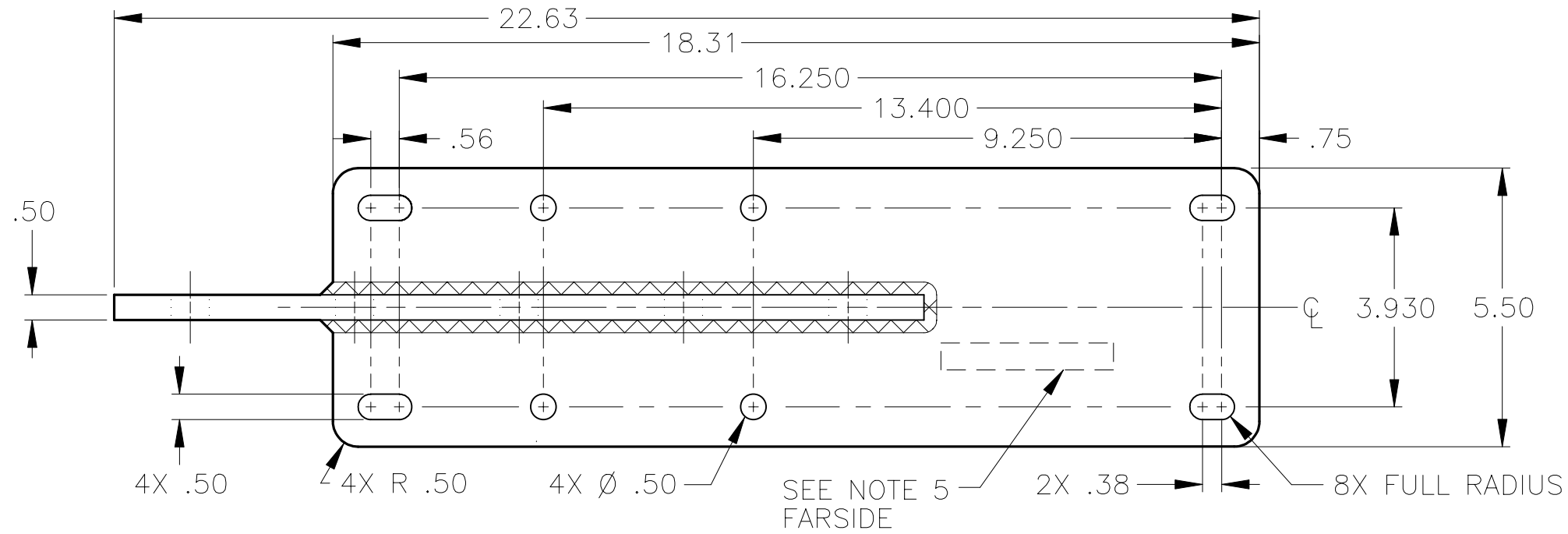


NOTES:

1. MATERIAL: CRS
2. REMOVE BURRS AND BREAK SHARP EDGES.
3. PART TO BE CLEANED AND FREE OF GREASE AND DEBRIS.
4. FINISH: BLACK POLANE PAINT
5. PART NUMBER AND CURRENT REVISION TO BE PRINTED IN AREA SHOWN WITH INDELIBLE WHITE INK. LETTERS TO BE 3/16" TALL MIN.
6. REFER TO EAW MATERIAL SPECIFICATION 480455 FOR LABELING AND SHIPPING REQUIREMENTS.

REV	DESCRIPTION	APVD/DATE
0	RELEASED TO PRODUCTION FROM REV A PER DSR 01-950 SS 8/30/01	RS 8/30/01
A	ORACLE REVISION CONVERSION DRAWING WAS REV 0 PER ECO 5151 SS 9/10/01	RS 9/17/01



DOCUMENT CONTROL PER SPECIFICATION 4.5.201

<p>THIRD ANGLE PROJECTION</p>	<p>UNLESS OTHERWISE SPECIFIED: ALL DIMENSIONS ARE IN INCHES</p> <p>TOLERANCE IN INCHES .X±.030 .XX±.015 .XXX±.005 FRACTIONS ±1/32 ANGLES ±1/2°</p> <p>(X.XX) = REF DIMS NO TOLERANCE IMPLIED</p> <p>T.S.C.=THEORETICAL SHARP CORNER</p> <p>DIMENSIONS ACROSS CENTERLINES TO BE SYMMETRICAL</p>	<p>STATUS: PRODUCTION</p>		EASTERN ACOUSTIC WORKS ONE MAIN STREET WHITINSVILLE, MA 01588 USA
		<p>APPROVALS</p> <p>DRAWN: JRM</p> <p>CHECKED: KFH</p> <p>DES ENG: TSD</p> <p>MFG ENG: MD</p>	<p>DATE</p> <p>6/13/01</p> <p>8/30/01</p> <p>8/30/01</p> <p>8/30/01</p>	
<p>THIS DRAWING IS THE PROPERTY OF EAW AND SHALL NOT BE COPIED, REPRODUCED, OR USED AS THE BASIS FOR MANUFACTURE OR SALE OF APPARATUS WITHOUT WRITTEN AUTHORIZATION. DO NOT SCALE DRAWING.</p>		<p>SHEET 1 OF 1</p>	<p>SCALE: 1 TO 3</p>	<p>DRAWING NUMBER: 179114</p>
			<p>REVISION: A</p>	<p>VELLUM</p>