


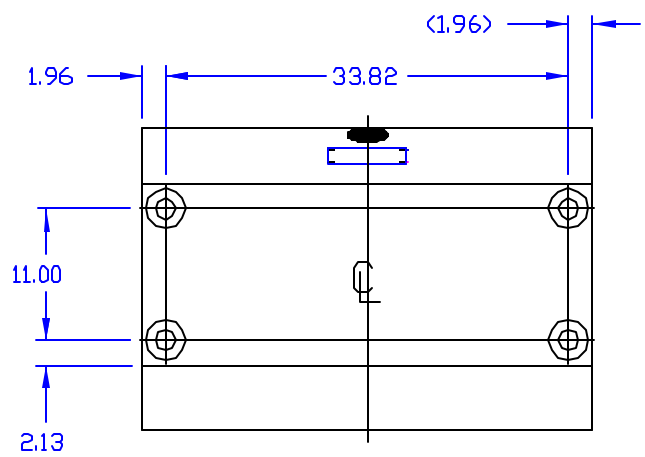


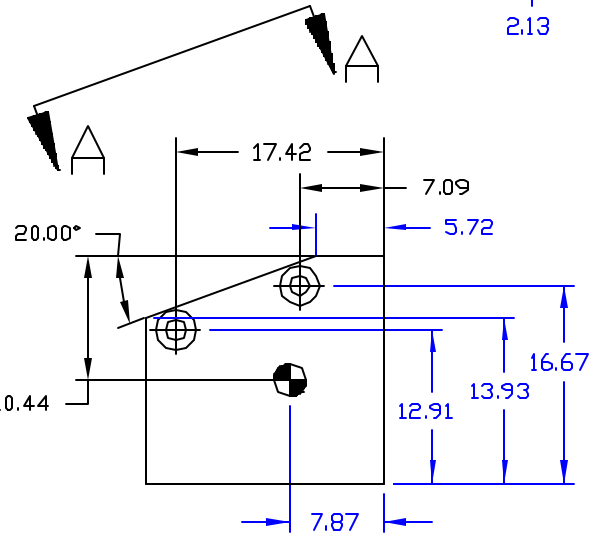
REV	DESCRIPTION	APVD/DATE
0	RELEASED TO PRODUCTION FROM REV PER DSR 99-1267 RAS 99-1267	A, KFH 10/14/99

NOTES:

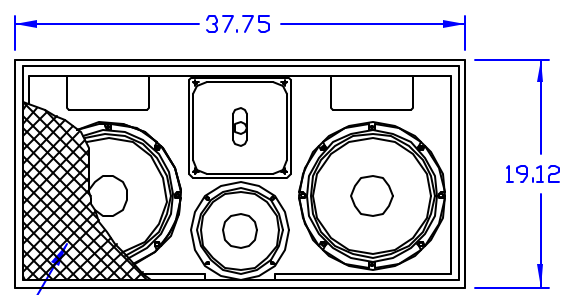
1. SYMBOL  INDICATES MOUNTING POINT, 3/8-16 THREADED HOLE (PI ANGLE),
2. SYMBOL  INDICATES MOUNTING POINT, 3/8-16 THREADED HOLE (NUT PLATE),
3. SYMBOL  INDICATES CENTER OF BALANCE.
4. WEIGHT APPROX: 108 LBS.
5. SHIPPING WEIGHT APPROX.121LBS..



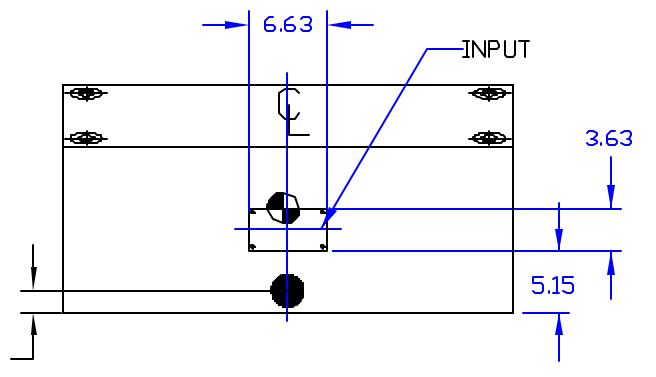
VIEW A-A



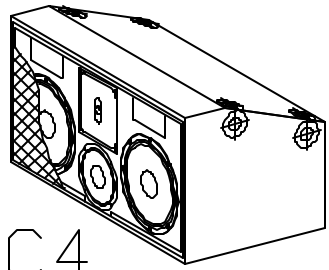
LEFT SIDE
DIMENSIONS APPLY TO BOTH SIDES



FRONT
GRILL PARTIALLY SHOWN

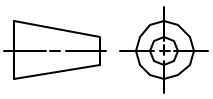


BACK



DC4

THIRD ANGLE PROJECTION



THIS DRAWING IS THE PROPERTY OF EAW AND SHALL NOT BE COPIED, REPRODUCED OR USED AS THE BASIS FOR MANUFACTURE OR SALE OF APPARATUS WITHOUT WRITTEN AUTHORIZATION. DO NOT SCALE DRAWING.

UNLESS OTHERWISE SPECIFIED, ALL DIMENSIONS ARE IN INCHES
TOLERANCE IN INCHES
.XX ± .13
ANGLES ±11

<X.XX> = REF DIMS
NO TOLERANCE IMPLIED

T.S.C.=THEORETICAL SHARP CORNER
DIMENSIONS ACROSS CENTERLINES TO BE SYMMETRICAL

STATUS: PRODUCTION	
APPROVALS	DATE
DRAWN: JRM	7/23/99
CHECKED: KFH	10/14/99
DES ENG: ZC	10/14/99
MFG ENG: DBD	10/22/99

DOCUMENT CONTROL PER SPECIFICATION 4.5.201

EAW EASTERN ACOUSTIC WORKS
ONE MAIN STREET
WINDSORVILLE, MA 01898 USA

TITLE: CABINET/FINISHED/DC4 [MECHANICAL SPECIFICATIONS]

A	SHEET 1 OF 1	SCALE: 1 TO 16
DRAWING NUMBER: 510872		REVISION: 0