



# SPECIFICATIONS DC4

## FEATURES

- Compact three-way system for medium-sized dance clubs
- Very effective as a high-output DJ booth monitor
- Dual 12-in woofers maximize LF output
- 8-in midrange cone, sealed
- Horn-loaded 1-in exit/1.75-in voice coil HF compression driver
- Cutaway rear corner directs coverage down from its position close to a ceiling

## DESCRIPTION

The DC4 is engineered for use in permanent installations. The system includes dual 12-in woofers in an optimally vented enclosure, an 8-in midrange cone in a sealed subenclosure and a 1-in exit/1.75-in voice coil high frequency compression driver on a 90° (h) x 40° (v) dispersion constant directivity horn.

A complex asymmetrical internal passive crossover/filter network provides MF/HF subsystem integration. An MX Series Close Coupled Processor™ should integrate the LF and MF/HF subsystems.

## APPLICATION

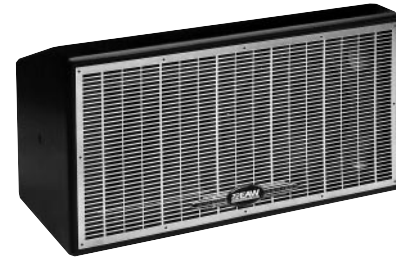
The DC4 compact, bi-amplified three-way dance club system provides high output, high definition reinforcement for medium sized clubs. Overall design is robust to ensure reliability in the face of continuous peak output operation.

The DC4 is designed for overhead mounting in a horizontal configuration to cover medium sized dance floors or other spaces within clubs. Its cutaway upper-rear corner allows it to tuck up next to the ceiling while angling its coverage down 20°. The enclosure includes balance-optimized threaded mounting points.

Like all EAW products, it can be special ordered in virtually any color to match a specific décor. Six year warranty.

## PERFORMANCE

<b>Frequency Response</b>	
±3 dB	50 Hz to 17.5 kHz
-10 dB	45 Hz
<b>Axial Sensitivity (dB SPL, 1 watt @ 1 m)</b>	
Passive MF/HF	97
LF	99
<b>Nominal Input Impedance (ohms)</b>	
Passive MF/HF	8
LF	4



<b>Power Handling (watts, continuous)</b>	
Passive MF/HF	220
LF	800
<b>Calculated Output Limit (dB SPL @ 1 m)</b>	
Passive MF/HF Peak	126
LF Peak	134
Passive MF/HF Long term	120
LF Long Term	128
<b>Nominal Beamwidth (degrees @ -6 dB SPL)</b>	
Horizontal	90
Vertical	40

## PHYSICAL

Product Group	Avalon	
Configuration	3-way full-range	
Powering	Bi-amplified (passive MF/HF crossover)	
LF Subsystem	2x 12-in-woofer, vented	
MF Subsystem	1x 8-in cone, sealed	
HF Subsystem	1-in exit/1.75-in voice coil compression driver on CD horn	
Enclosure Material	Exterior-grade Baltic birch plywood	
Finish	Wear-resistant textured black paint	
Connectors	2x Neutrik NL4 Speakon	
Suspension Hardware	8x 3/8"-16 threaded mounting points (4 top, 2 per side)	
Grille	Zinc coated perforated steel	
<b>Dimensions</b>	<b>inches</b>	<b>millimeters</b>
	Height (front)	19.2 486
	Height (rear)	13.9 354
	Width	37.8 959
	Depth	20.0 508
<b>Weights</b>	<b>pounds</b>	<b>kilograms</b>
	Net Weight	99 45.0
	Shipping Weight	113 51.4

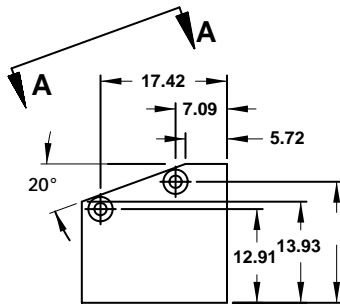
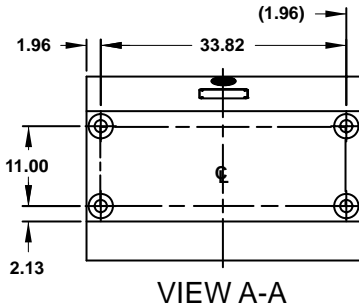
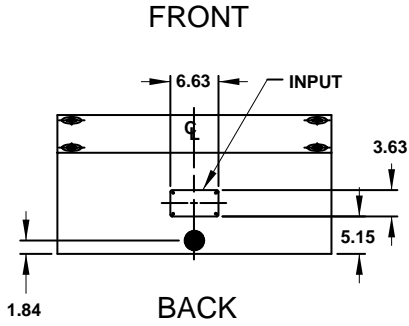
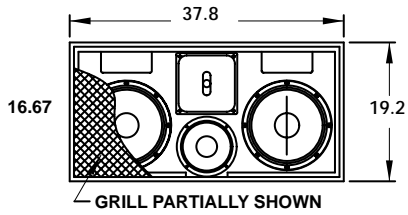




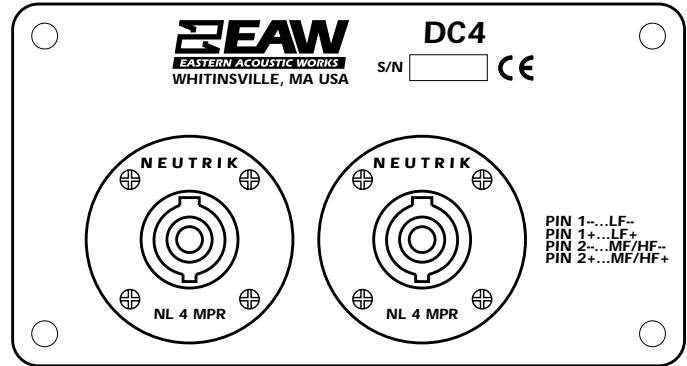
# SPECIFICATIONS DC4

## DIMENSIONAL DRAWING

- ⊙ INDICATES MOUNTING POINT, 3/8-16 THREADED HOLE (PI ANGLE).
- INDICATES MOUNTING POINT 3/8-16 THREADED HOLE (NUT PLATE).



## INPUT PANEL



510872 (A)  
8/24/99

Manufacturing tolerances are +/- 0.13 and +/- 1°

