

Installation Instructions

JFX88 BRACKET

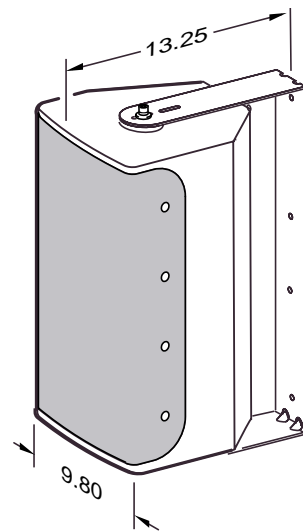
1. Inventory

Before beginning installation, inventory kit to items listed.

Item	EAW P/N	Qty	Description
1	0004702	1	Bracket/Wallmount/HDJF88WM
2	102017	2	Screw, 1/4-20 x 1 SHCS, Black
3	105061	2	Washer, Neoprene, 3/8 I.D. X 2 O.D.
4	105007	2	1/4 Washer, Flat, Black
5	105008	2	1/4 Washer, Lock, Black

Warning:

Installation should only be done by an experienced technician. Improper installation may cause serious injury. The surface where the bracket/cabinet is to be fastened must have enough structural integrity to support 200 pounds.



2. Mounting the Bracket

Due to various construction methods and materials used today, the hardware for securing the bracket to the mounting surface is not supplied. It is recommended that you consult a building professional for the proper mounting hardware before mounting the bracket.

3. Removing the Shipping Hardware

Remove the flat head screws from the top of the cabinet and the front of the top hat flange on the bottom of the cabinet using a 5/32 Allen wrench.

4. **Choosing which Slot to Use** There are two slots in each bracket arm. Use the forward slot (as shown) when the cabinet is facing perpendicular to the bracket mounting surface.

5. Hanging the Cabinet

- Place a neoprene gasket on the bracket's lower arm. Center it on the appropriate slot.
- Position the cabinet between the bracket arms.
- Align the bracket's top slot to the cabinet's 1/4-20 threaded hole.
- Holding the cabinet in position, insert the screw with its lock washer and flat washer through the bracket slot and into the cabinet's top threaded hole and hand tighten.
- Repeat step D through the bottom bracket hole.
- Position cabinet and tighten both screws with a 3/16 Allen wrench.

