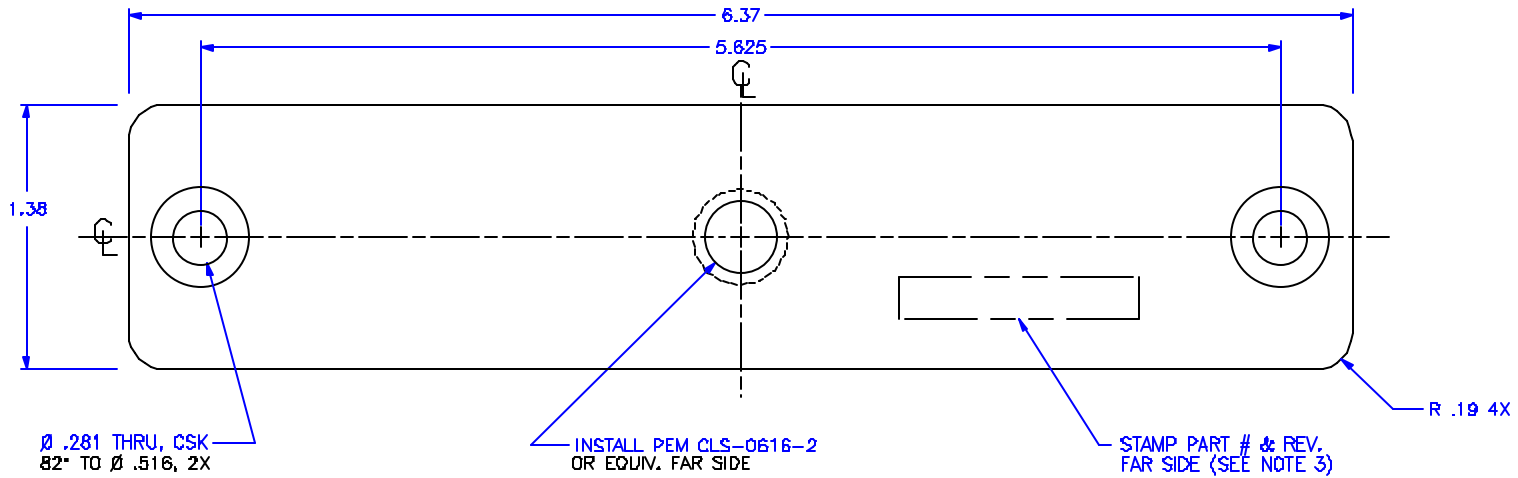


REV	ECO #	DATE	APPROVED
0	RELEASED	9/17/96	
A	ORACLE REVISION CONVERSION DRAWING WAS REVISION 0 UPDATED PER ECO #5151 JH 3/19/01		SS 6/01/01



- NOTES:
1. MATERIAL: 8 GAUGE (.164") CRS.
  2. FINISH: BLACK POWDER COAT.
  3. PART # & CURRENT REV. TO BE PRINTED APPROX. IN AREA INDICATED WITH WHITE INDELIBLE INK AFTER COATING. LETTERS TO BE 3/16" TALL MINIMUM.
  4. FINISHED THREADS MUST BE CLEAN & FREE OF POWDER COAT.
  5. BREAK SHARP EDGES & DEBURR.

UNLESS OTHERWISE SPECIFIED  
ALL DIMENSIONS ARE IN INCHES.

TOLERANCES ON INCHES  
.XX +/- .03 .XXX +/- .010

ANGLES +/- 1/2° FRACTIONS +/- 1/32

THIS DRAWING IS THE PROPERTY OF EAW AND  
SHALL NOT BE COPIED, REPRODUCED, OR USED  
AS THE BASIS FOR MANUFACTURE OR SALE OF  
APPARATUS WITHOUT WRITTEN AUTHORIZATION.

APPROVAL

DRAWN: RAS	8/21/96
CHECKED: FEL	9/16/96
DES ENG: JR	9/17/96
MFG ENG: WD	9/18/96

EAW WHITINSVILLE MA 01588

PLATE/TOP HAT SPAN

SHEET: 1 OF 1	SCALE: 1 TO 1
PART NO: 606070	REV: A