


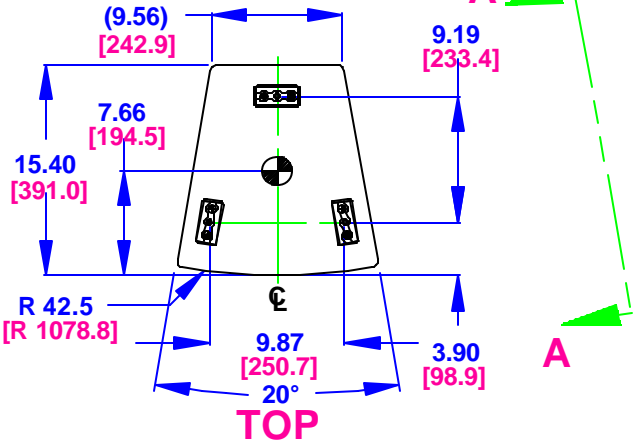


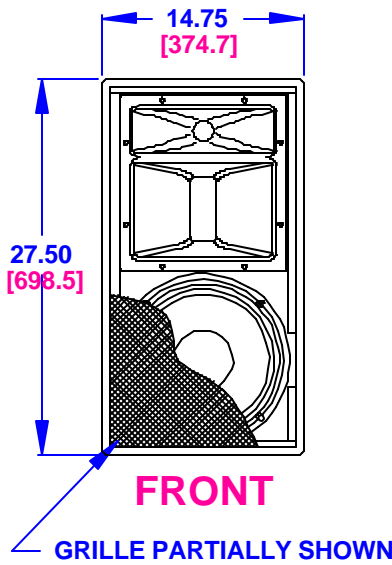
REV	DESCRIPTION	APVD/DATE
C	SKIPPED REVISIONS "A", AND "B" SO DRAWING REVISION AGREES WITH AGILE REVISION "C". PER DSRWHT7790 DM 10/10/06	RS 10/11/06

NOTES:

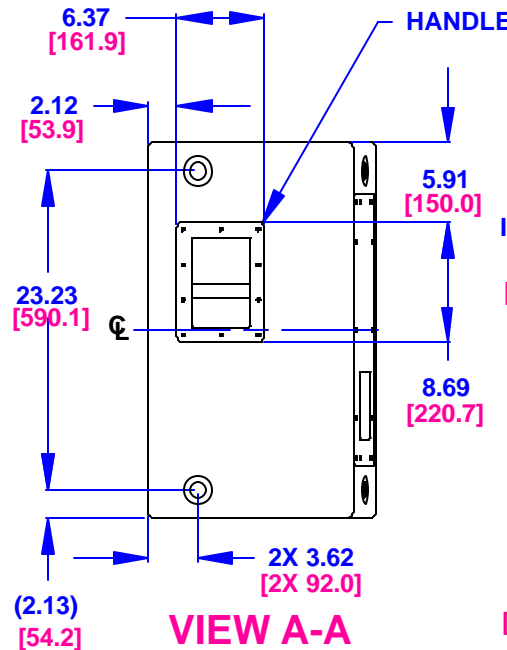
1. SYMBOL  INDICATES MOUNTING POINT, 3/8-16 THREADED HOLE (FLY TRACK).
2. SYMBOL  INDICATES 3.00 [76.2] x 1.35 [34.3] FLY TRACK.
3. SYMBOL  INDICATES CENTER OF BALANCE.
4. WEIGHT APPROX. 85 lb [38.6 kg].
5. SHIPPING WEIGHT APPROX. 94 lb [42.6 kg].



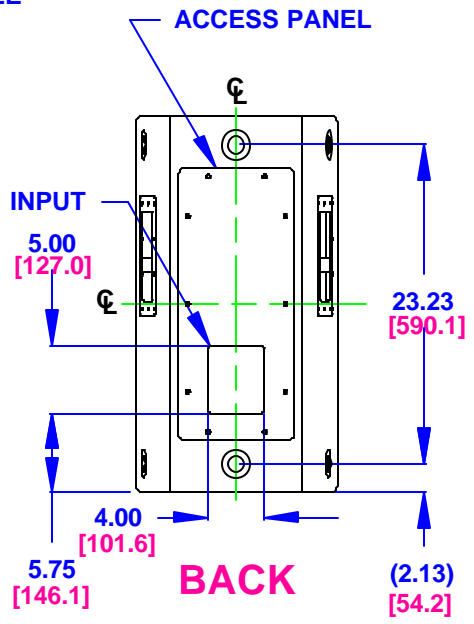
TOP
DIMENSIONS APPLY TO TOP & BOTTOM



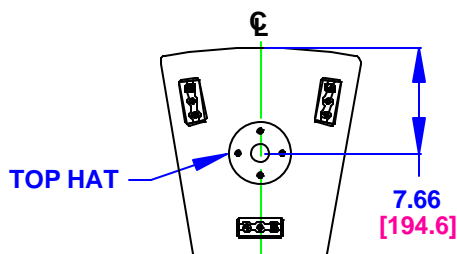
FRONT



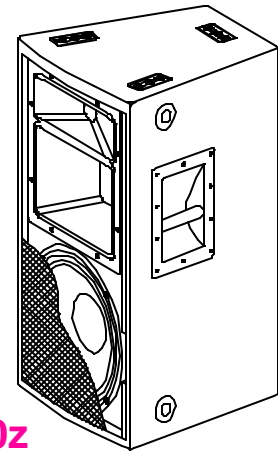
VIEW A-A
DIMENSIONS APPLY TO BOTH SIDES



BACK

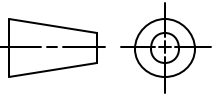



BOTTOM



KF360z

DOCUMENT CONTROL PER SPECIFICATION 4.5.201

<p>THIRD ANGLE PROJECTION</p> 	<p>UNLESS OTHERWISE SPECIFIED: ALL DIMENSIONS ARE INCHES [MILLIMETERS]</p> <p>TOLERANCES LINEAR ± 0.13 in/ ± 3.3 mm ANGLES ± 1°</p> <p>{X.XX} = REF DIMS NO TOLERANCE IMPLIED</p> <p>TSC=THEORETICAL SHARP CORNER DIMENSIONS ACROSS CENTERLINES TO BE SYMMETRICAL</p>	STATUS: PRODUCTION		 EASTERN ACOUSTIC WORKS ONE MAIN STREET WHITINSVILLE, MA 01568 USA	
		APPROVALS	DATE		<p>TITLE: CABINET/FINISHED/BLACK/ KF360z [MECHANICAL SPECIFICATION]</p>
		DRAWN: MFL	4/9/02		
		CHECKED: KFH	10/11/06		
		DES ENG: DB	10/12/06		
MFG ENG: SM	10/11/06				
THIS DRAWING IS THE PROPERTY OF EAW AND SHALL NOT BE COPIED, REPRODUCED, OR USED AS THE BASIS FOR MANUFACTURE OR SALE OF APPARATUS WITHOUT WRITTEN AUTHORIZATION. DO NOT SCALE DRAWING.		<p>A SHEET 1 OF 1 SCALE: 1 TO 14</p> <p>DRAWING NUMBER: 0001140 REVISION: C</p>			