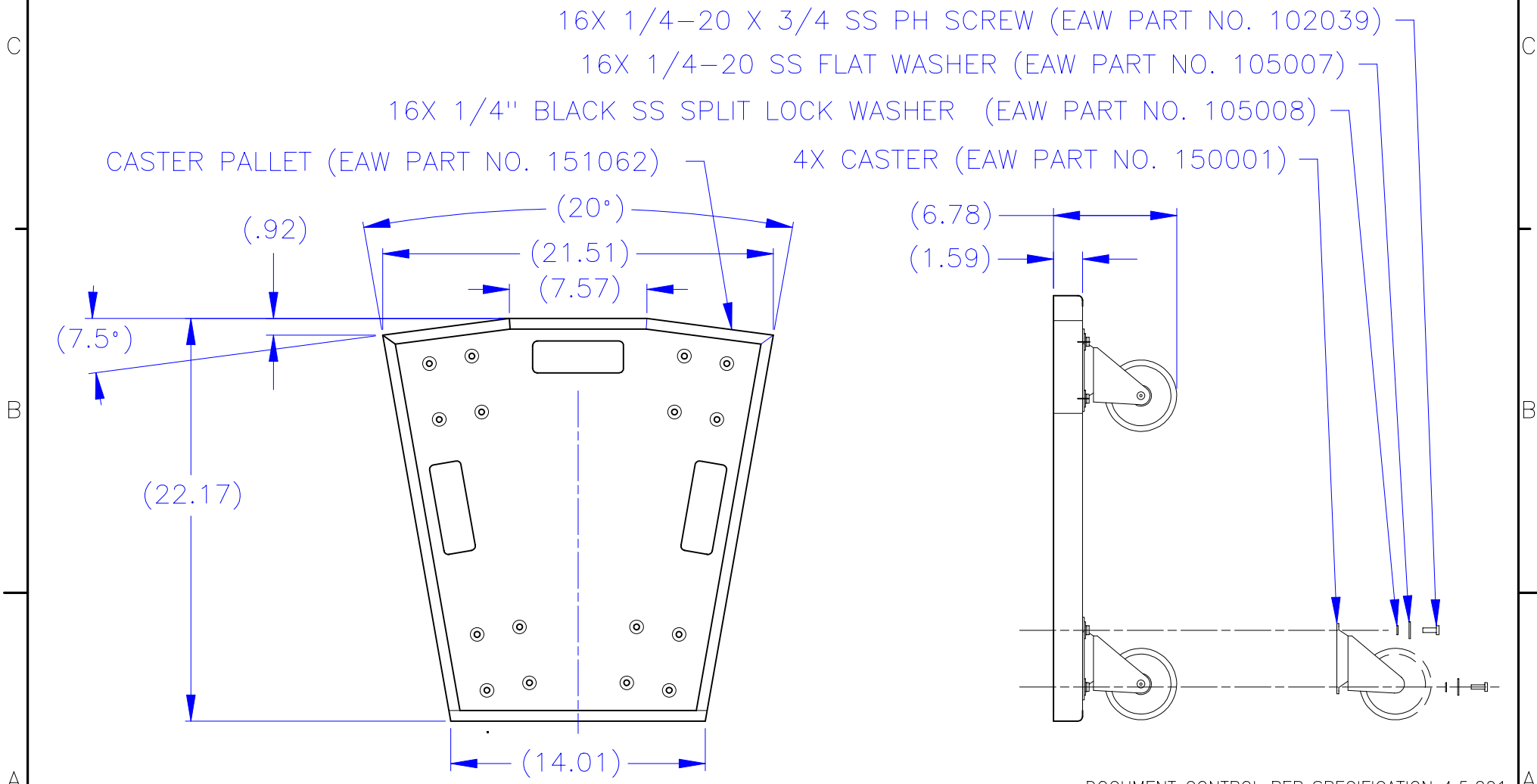


NOTES:

1. REFER TO EAW MATERIAL SPECIFICATION 480455 FOR LABELING AND SHIPPING INSTRUCTIONS.

REV	DESCRIPTION	APVD/DATE
0	NEW ISSUE RELEASED TO PRODUCTION PER DSR 01-836 PSN 08/27/01	RS 8/28/01



DOCUMENT CONTROL PER SPECIFICATION 4.5.201

THIRD ANGLE PROJECTION 	UNLESS OTHERWISE SPECIFIED: ALL DIMENSIONS ARE IN INCHES TOLERANCE IN INCHES .X ± .1 .XX ± .03 .XXX ± .010 FRACTIONS ±1/32 ANGLES ±1/2° (X.XX) = REF DIMS NO TOLERANCE IMPLIED T.S.C.=THEORETICAL SHARP CORNER DIMENSIONS ACROSS CENTERLINES TO BE SYMMETRICAL	STATUS: PRODUCTION		EASTERN ACOUSTIC WORKS ONE MAIN STREET WHITINSVILLE, MA 01588 USA
		APPROVALS	DATE	
THIS DRAWING IS THE PROPERTY OF EAW AND SHALL NOT BE COPIED, REPRODUCED, OR USED AS THE BASIS FOR MANUFACTURE OR SALE OF APPARATUS WITHOUT WRITTEN AUTHORIZATION. DO NOT SCALE DRAWING.		DRAWN: NYSTEDT 8/27/01 CHECKED: RS 8/28/01 DES ENG: JAR 8/28/01 MFG ENG: MD 8/28/01	ASSEMBLY/CASTER PALLET/ 650/695z	SHEET 1 OF 1 SCALE: 1 TO 8 DRAWING NUMBER: 255120 REVISION: 0

VELLUM