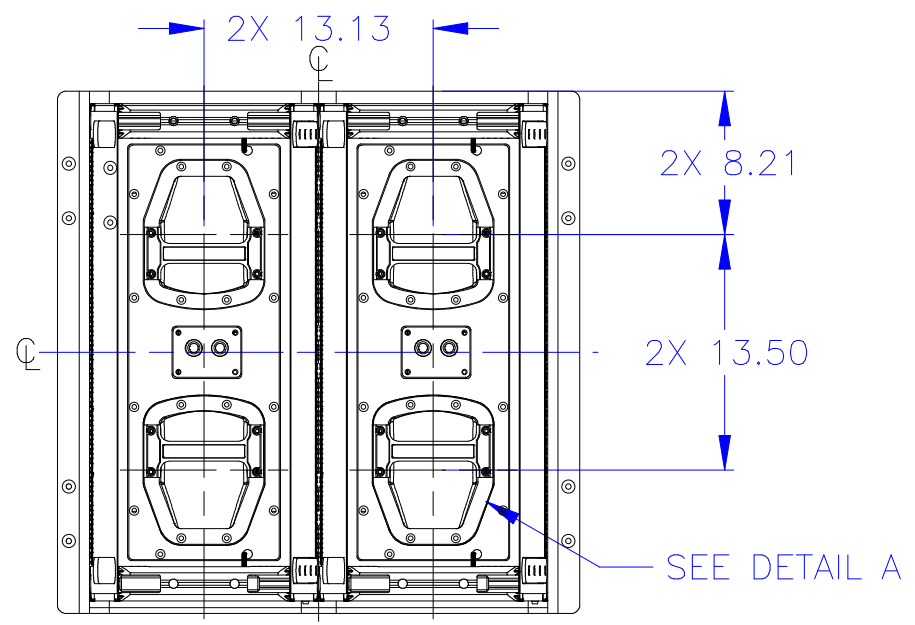
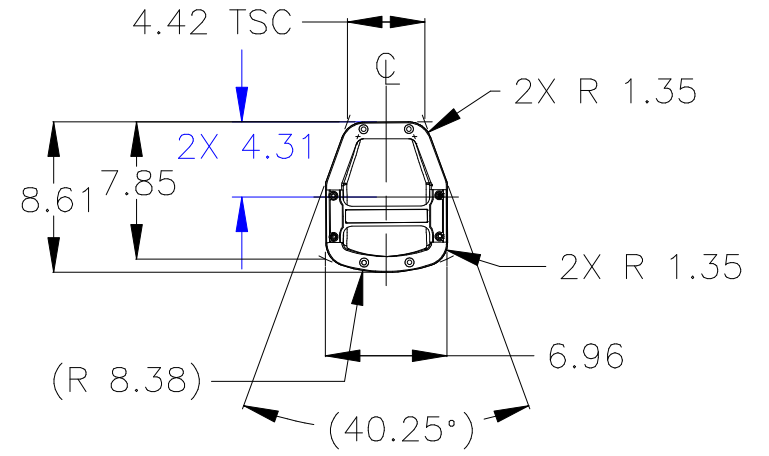


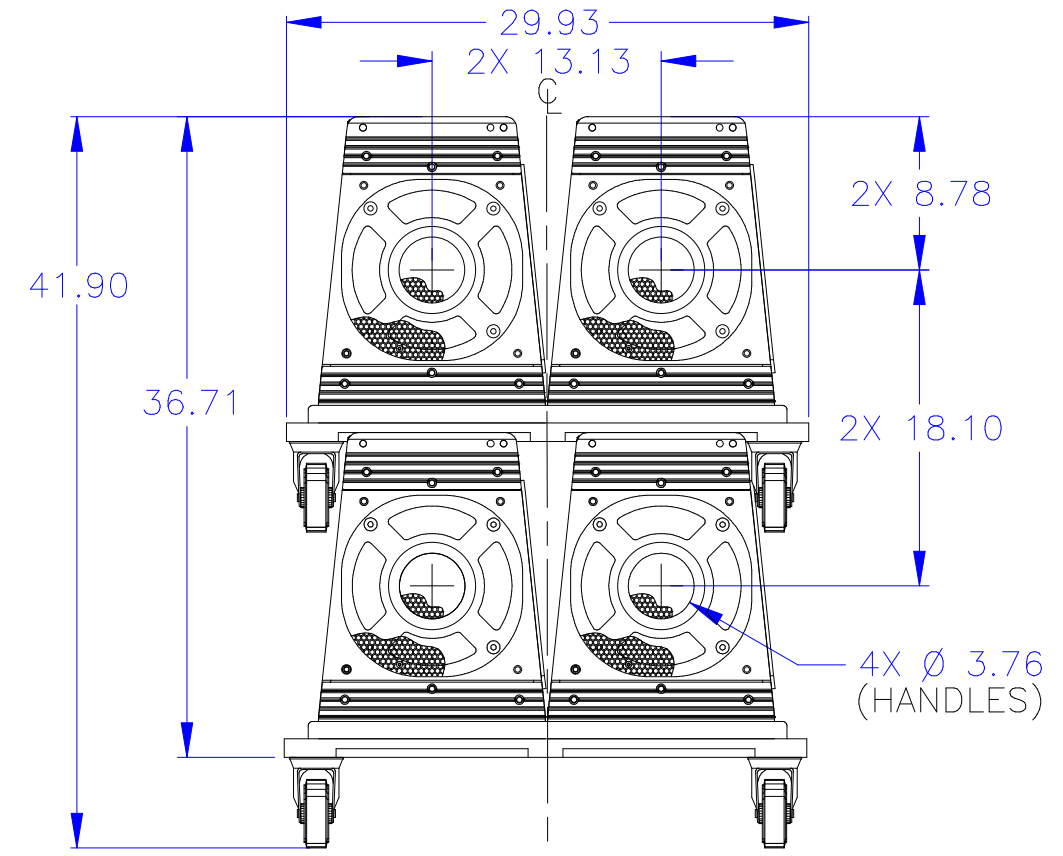
REV	DESCRIPTION	APVD/DATE
1	NEW ISSUE PER DSR #03-658 MELANIE 5/23/03	RS 5/23/03
2	ADDED TOP VIEW, DETAIL A, AND DIMS 2X 8.40, 2X 13.13, 2X 7.97, AND 2X 13.50 PER DSR #03-770 MELANIE 6/16/03	RS 6/19/03



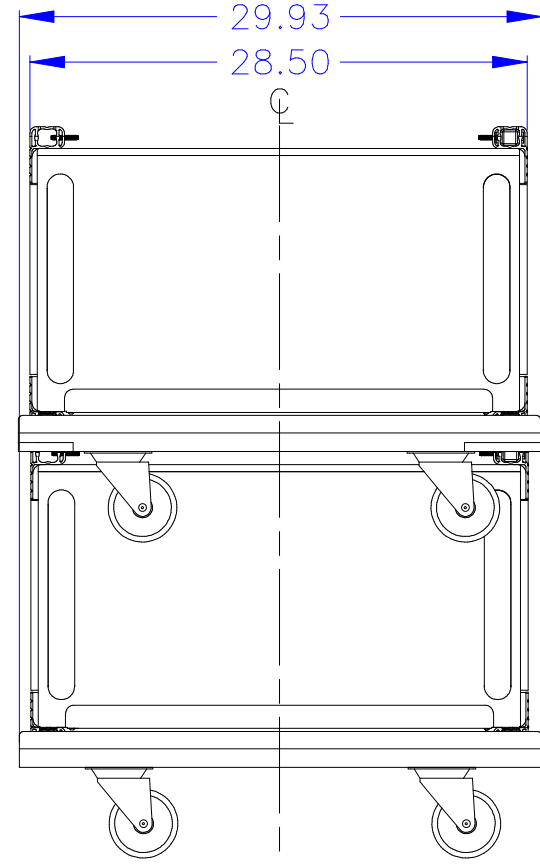
TOP



DETAIL A
4X HANDLE



FRONT/BACK



SIDES

DOCUMENT CONTROL PER SPECIFICATION 4.5.201

THIRD ANGLE PROJECTION 	UNLESS OTHERWISE SPECIFIED: ALL DIMENSIONS ARE IN INCHES TOLERANCE IN INCHES .X ± .1 .XX ± .03 .XXX ± .010 FRACTIONS ± 1/32 ANGLES ± 1/2° (X.XX) = REF DIMS NO TOLERANCE IMPLIED T.S.C.=THEORETICAL SHARP CORNER DIMENSIONS ACROSS CENTERLINES TO BE SYMMETRICAL	STATUS: PROTOTYPE		EASTERN ACOUSTIC WORKS ONE MAIN STREET WHITINSVILLE, MA 01588 USA
		APPROVALS	DATE	
DRAWN: MELANIE		5/23/03	B SHEET 1 OF 1	
CHECKED:		DES ENG:		SCALE: 1 TO 10
THIS DRAWING IS THE PROPERTY OF EAW AND SHALL NOT BE COPIED, REPRODUCED, OR USED AS THE BASIS FOR MANUFACTURE OR SALE OF APPARATUS WITHOUT WRITTEN AUTHORIZATION. DO NOT SCALE DRAWING.		MFG ENG:	DRAWING NUMBER: SK001471	REVISION: 2