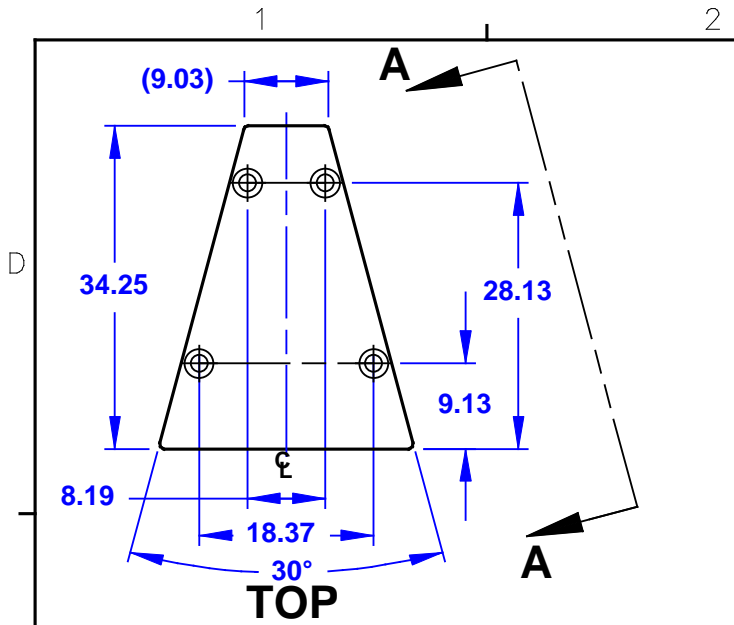


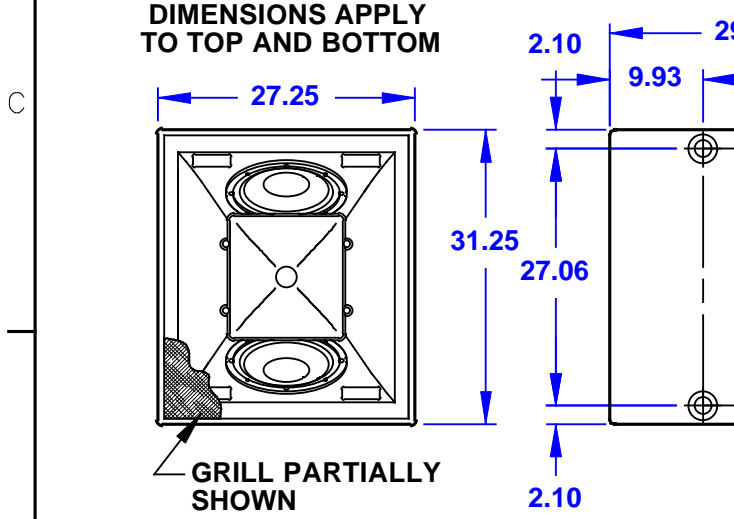
REV	DESCRIPTION	APVD/DATE
A	NEW ISSUE PER DSR 98-577 FEL 12/18/98	KFH 12/23/98



NOTES:

1. SYMBOL INDICATES CENTER OF BALANCE. TBD
2. SYMBOL INDICATES 3/8-16 THREADED MOUNTING POINTS.
3. WEIGHT APPROX: 205 LBS.
4. SHIPPING WEIGHT APPROX: 225 LBS.

DIMENSIONS APPLY TO TOP AND BOTTOM

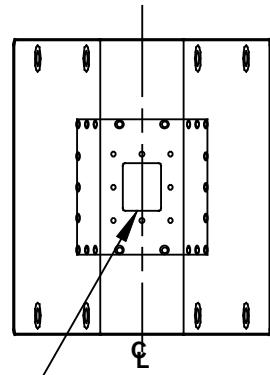


GRILL PARTIALLY SHOWN

FRONT

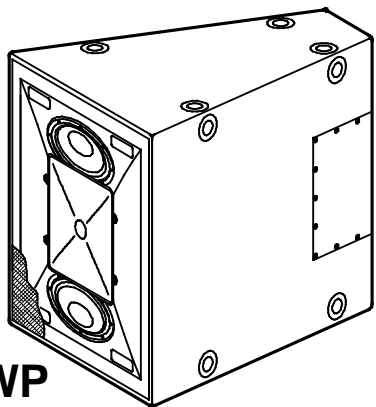
VIEW A-A

DIMENSIONS APPLY TO BOTH SIDES



INPUT

BACK



KF750P-WP

DOCUMENT CONTROL PER SPECIFICATION 4.5.201

<p>THIRD ANGLE PROJECTION</p>	<p>UNLESS OTHERWISE SPECIFIED: ALL DIMENSIONS ARE IN INCHES</p> <p>TOLERANCE IN INCHES .XX ± .13 ANGLES ±1°</p> <p>(X.XX) = REF DIMS NO TOLERANCE IMPLIED</p> <p>T.S.C.=THEORETICAL SHARP CORNER</p> <p>DIMENSIONS ACROSS CENTERLINES TO BE SYMMETRICAL</p>	STATUS: PROTOTYPE		<p>EA EASTERN ACOUSTIC WORKS ONE MAIN STREET WHITINSVILLE, MA 01588 USA</p> <p>TITLE: CABINET/FINISHED/BLACK KF750P-WP [MANUFACTURING SPECIFICATION]</p>		
		APPROVALS	DATE		<p>A SHEET 1 OF 1</p> <p>DRAWING NUMBER: 510814</p>	
		DRAWN: F LECOUR	12/22/98			<p>SCALE: 1 TO 20</p> <p>REVISION: A</p>
		CHECKED:				
DES ENG:		MFG ENG:				