

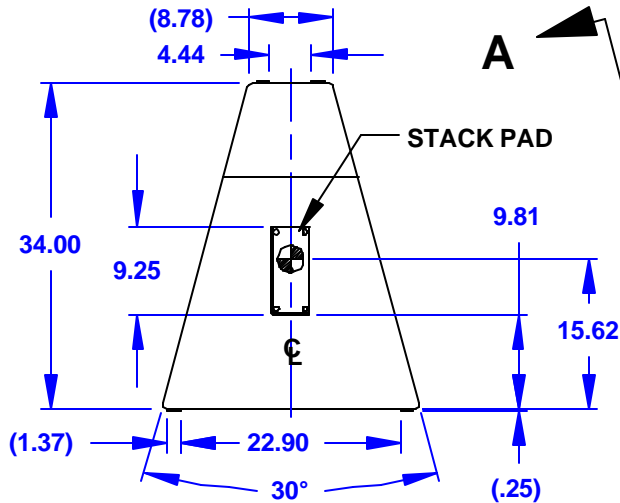


REV	DESCRIPTION	APVD/DATE
0	UPGRADE TO PRODUCTION PER DSR 99-964 JRM 7/21/99	KFH 7/22/99
A	ORACLE REVISION CONVERSION DRAWING WAS REVISION 0 UPDATED PER ECO#5151 JH 7/25/01	SS 7/30/01

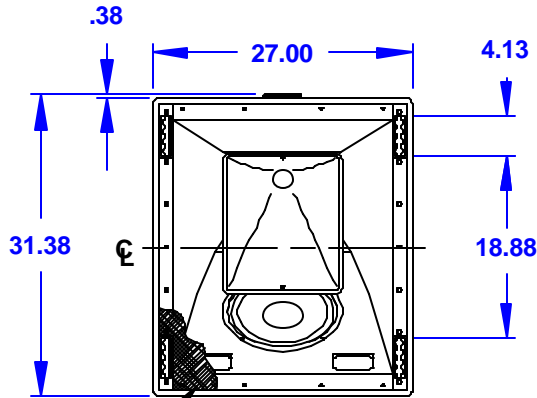
NOTES:

1. SYMBOL  INDICATES CENTER OF BALANCE.
2. SYMBOL  INDICATES FLY TRACK MOUNTING POINTS.
3. WEIGHT APPROX: 198 LBS.
4. SHIPPING WEIGHT APPROX: 220 LBS.



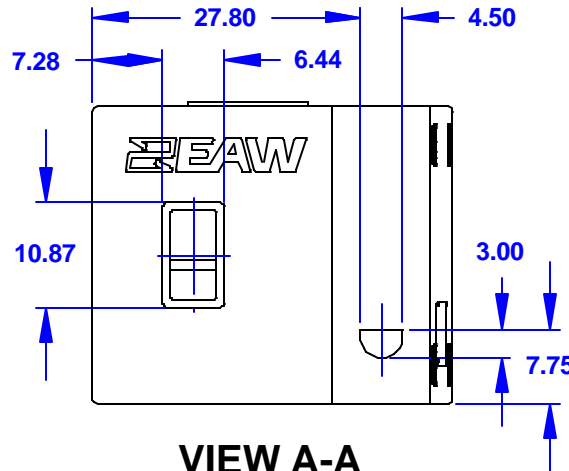
TOP

DIMENSIONS APPLY TO TOP AND BOTTOM



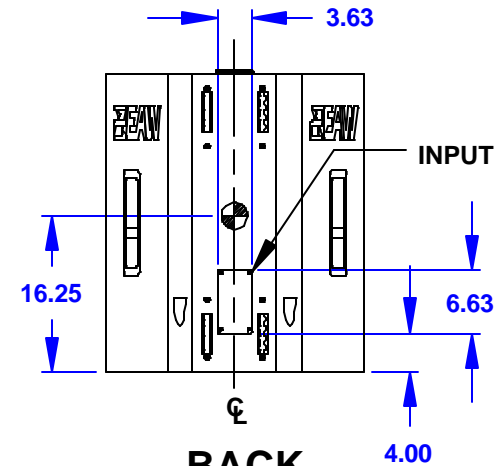
FRONT

GRILL PARTIALLY SHOWN



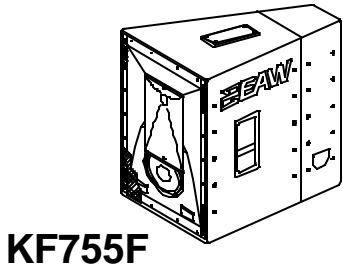
VIEW A-A

DIMENSIONS APPLY TO BOTH SIDES



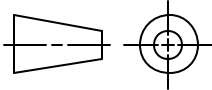
BACK

DOCUMENT CONTROL PER SPECIFICATION 4.5.2D1



KF755F

THIRD ANGLE PROJECTION



THIS DRAWING IS THE PROPERTY OF EAW AND SHALL NOT BE COPIED, REPRODUCED, OR USED AS THE BASIS FOR MANUFACTURE OR SALE OF APPARATUS WITHOUT WRITTEN AUTHORIZATION. DO NOT SCALE DRAWING.

UNLESS OTHERWISE SPECIFIED; ALL DIMENSIONS ARE IN INCHES

TOLERANCE IN INCHES
.XX ± .13
ANGLES ±1°

{X.XX} = REF DIMS
NO TOLERANCE IMPLIED

T.S.C.=THEORETICAL SHARP CORNER
DIMENSIONS ACROSS CENTERLINES TO BE SYMMETRICAL

STATUS: PRODUCTION	
APPROVALS	DATE
DRAWN: F LECOUR	11/12/99
CHECKED: KFJH	7/22/99
DES ENG: JR	7/22/99
MFG ENG: CAC	7/22/99

EAW EASTERN ACOUSTICWORKS
ONE MAIN STREET
WHITINSVILLE, MA 01588 USA

TITLE: CABINET/FINISHED/BLACK
KF755F
[MANUFACTURING SPECIFICATION]

A SHEET 1 OF 1 SCALE: 1 TO 20

DRAWING NUMBER: 510776 REVISION: A