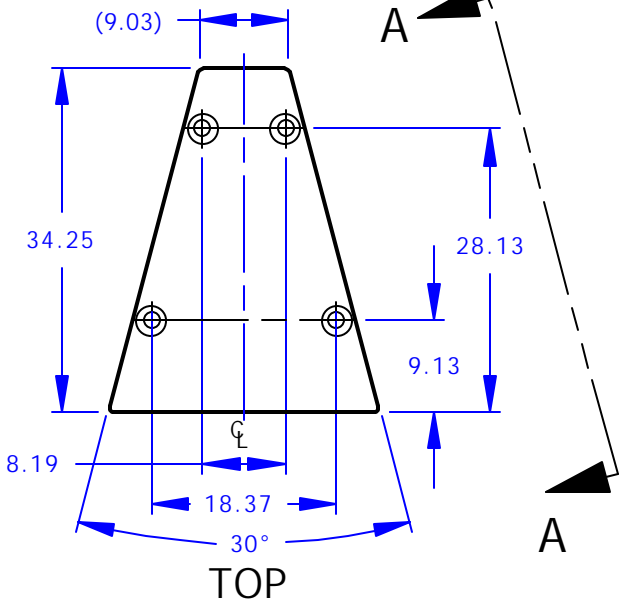
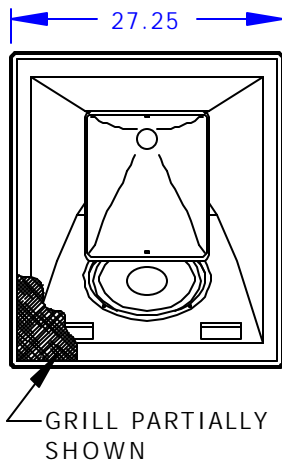


REV	DESCRIPTION	APVD/DATE
A	NEW ISSUE PER DSR 98-577 FEL 12/23/98	KFH 12/23/98

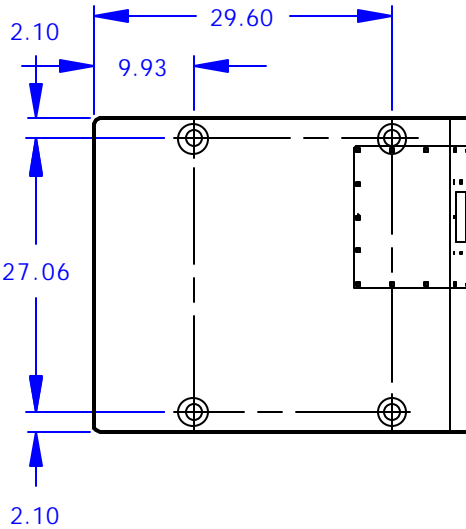


TOP

DIMENSIONS APPLY TO TOP AND BOTTOM

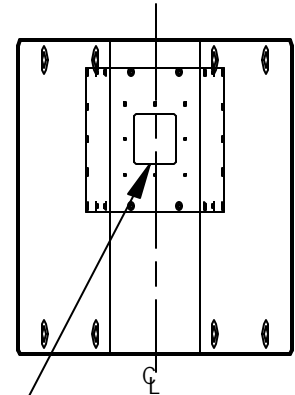


FRONT

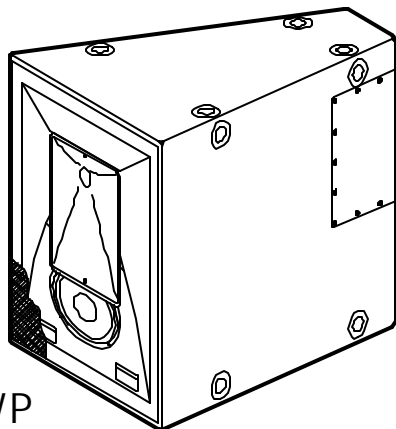


VIEW A-A

DIMENSIONS APPLY TO BOTH SIDES



BACK



KF755P-WP

DOCUMENT CONTROL PER SPECIFICATION 4.5.201

	<p>UNLESS OTHERWISE SPECIFIED, ALL DIMENSIONS ARE IN INCHES</p> <p>TOLERANCE IN INCHES XX ± .13 ANGLES ±1°</p> <p>(X.XX) - REF DIMS NO TOLERANCE IMPLIED</p> <p>T.S.C.=THEORETICAL SHARP CORNER</p> <p>DIMENSIONS ACROSS CENTERLINES TO BE SYMMETRICAL</p>	<p>STATUS: PROTOTYPE</p>		EASTERN ACOUSTIC WORKS ONE MAIN STREET WHITINSVILLE, MA 01588 USA	
		<p>APPROVALS</p> <p>DRAWN: F LECOUR</p> <p>CHECKED:</p> <p>DES ENG:</p> <p>MFG ENG:</p>	<p>DATE</p> <p>12/22/98</p>		<p>TITLE: CABINET/FINISHED/BLACK KF755P-WP [MANUFACTURING SPECIFICATION]</p>
<p>THIS DRAWING IS THE PROPERTY OF EAW AND SHALL NOT BE COPIED, REPRODUCED, OR USED AS THE BASIS FOR MANUFACTURE OR SALE OF APPARATUS WITHOUT WRITTEN AUTHORIZATION. DO NOT SCALE DRAWING.</p>			<p>A SHEET 1 OF 1</p>		<p>SCALE: 1 TO 20</p>
			<p>DRAWING NUMBER: 510818</p>		<p>REVISION: A</p>