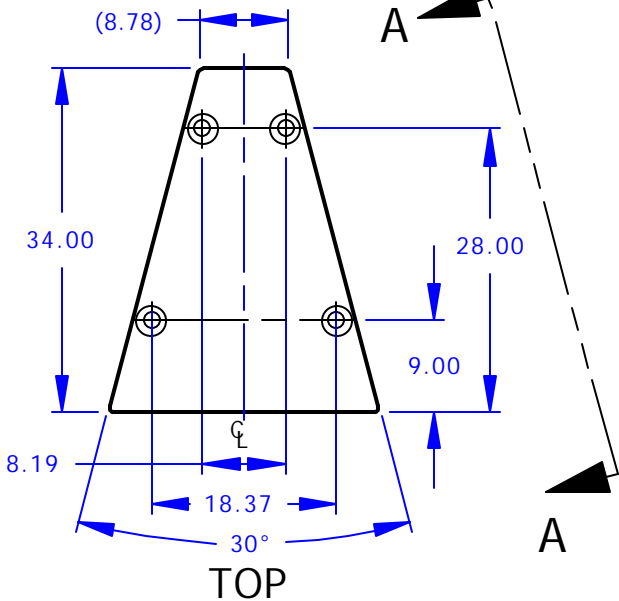


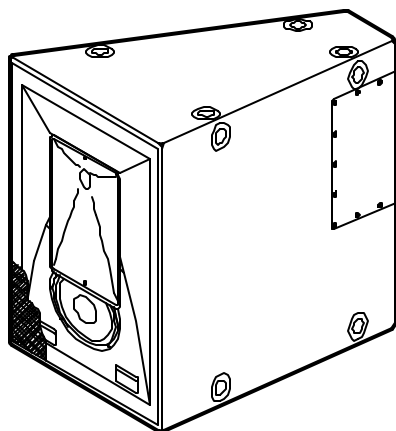
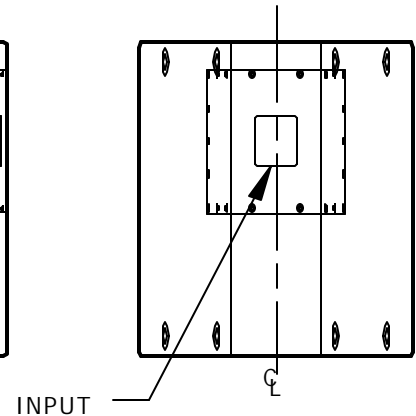
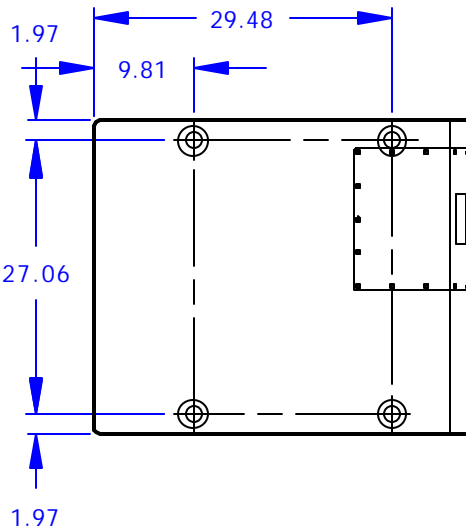
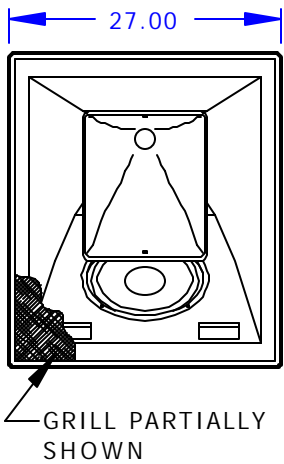
| REV | DESCRIPTION | APVD/DATE |
|-----|--|-----------------|
| A | NEW ISSUE PER DSR 98-577 FEL 12/18/98 | KFH 12/23/98 |



NOTES:

1. SYMBOL INDICATES CENTER OF BALANCE. TBD
2. SYMBOL INDICATES 3/8-16 THREADED MOUNTING POINTS.
3. WEIGHT APPROX: 180 LBS.
4. SHIPPING WEIGHT APPROX: 200 LBS.

DIMENSIONS APPLY TO TOP AND BOTTOM



KF755P

DOCUMENT CONTROL PER SPECIFICATION 4.5.201

| | | | | | |
|----------|--|--------------------------|--------------|---|---|
| | <p>UNLESS OTHERWISE SPECIFIED, ALL DIMENSIONS ARE IN INCHES</p> <p>TOLERANCE IN INCHES XX ± .13 ANGLES ±1°</p> <p>(X.XX) - REF DIMS NO TOLERANCE IMPLIED</p> <p>T.S.C.=THEORETICAL SHARP CORNER</p> <p>DIMENSIONS ACROSS CENTERLINES TO BE SYMMETRICAL</p> | STATUS: PROTOTYPE | | EASTERN ACOUSTIC WORKS ONE MAIN STREET WHITINSVILLE, MA 01588 USA | |
| | | APPROVALS | DATE | | <p>TITLE: CABINET/FINISHED/BLACK KF755P [MANUFACTURING SPECIFICATION]</p> |
| | | DRAWN: F LECOUR | 12/22/98 | | |
| | | CHECKED: | | | |
| DES ENG: | | A | SHEET 1 OF 1 | SCALE: 1 TO 20 | |
| MFG ENG: | | DRAWING NUMBER: 510817 | | REVISION: A | |