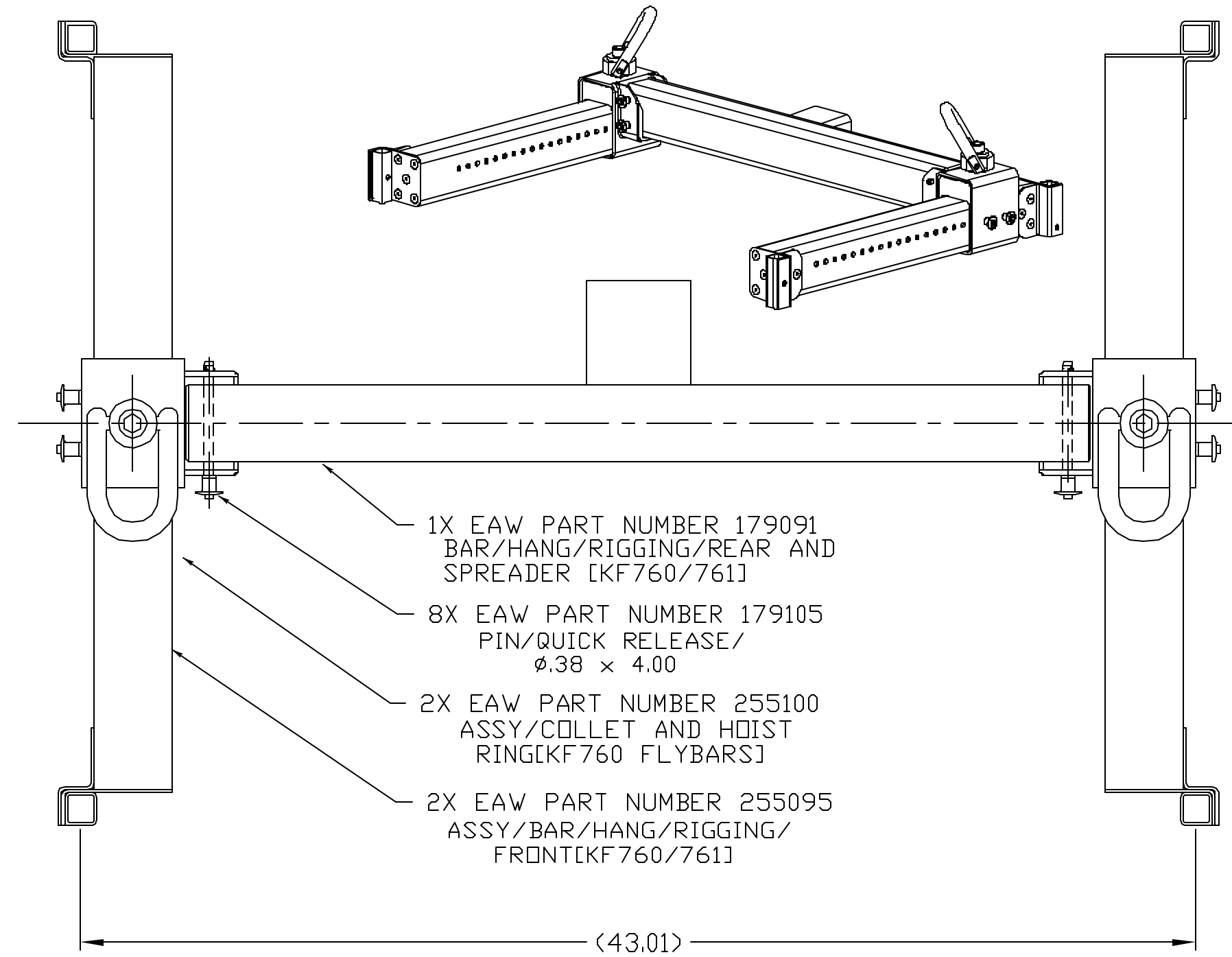


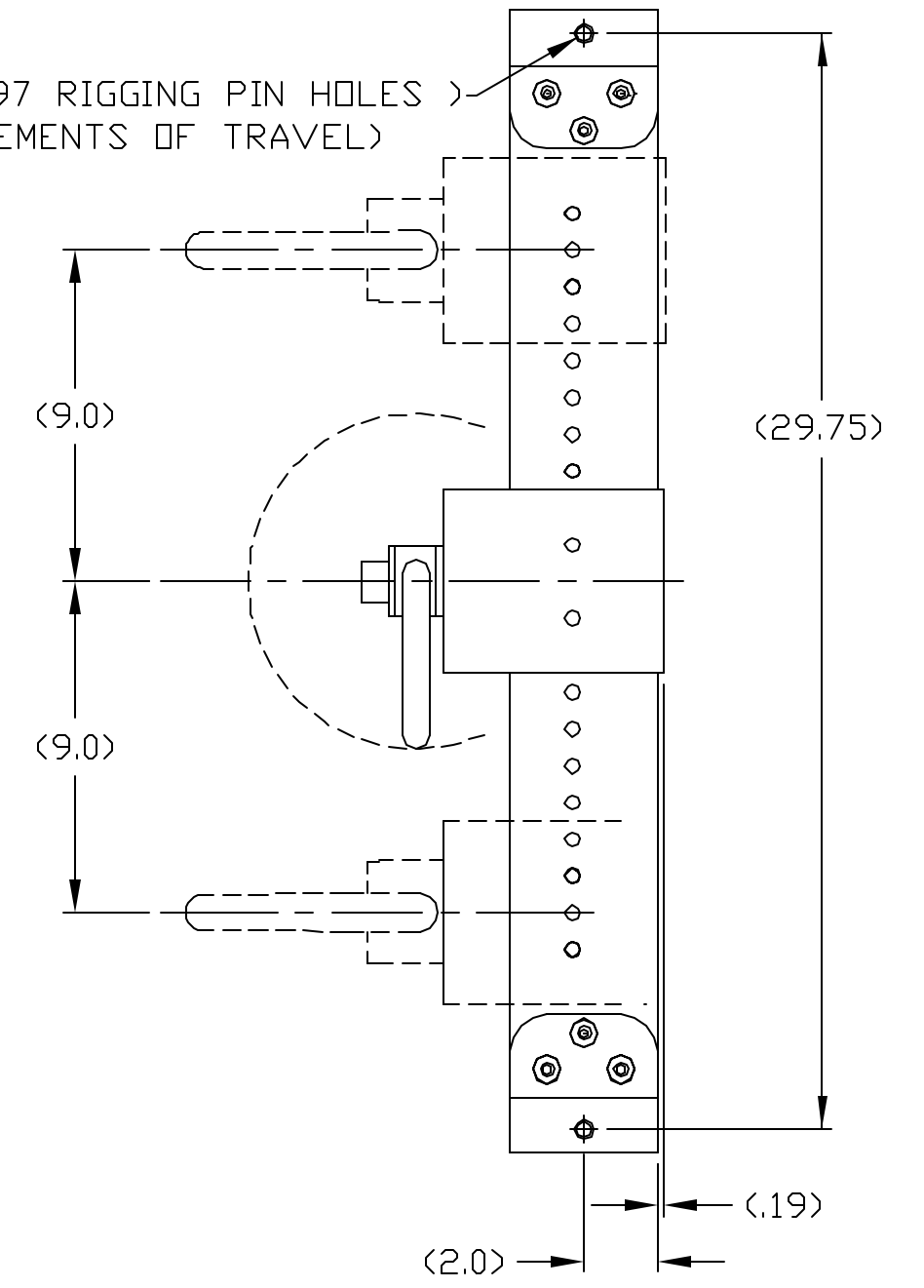
- NOTES:
 1. ASSEMBLY TO BE FREE AND CLEAN OF GREASE AND DEBRIS
 2. REFER TO EAW MATERIAL SPECIFICATION 480455 FOR LABELING AND SHIPPING REQUIREMENTS
 3. WEIGHT OF THIS ASSEMBLY IS APPROXIMATELY 125 LBS.

REV	DESCRIPTION	APVD/DATE
0	RELEASED TO PRODUCTION PER DSR 01-618 SS 7/30/01	KFN 8/02/01
A	ORACLE REVISION CONVERSION DRAWING WAS REVISION 0 UPDATED PER ECO#5151 JH 8/27/01	



- 1X EAW PART NUMBER 179091
BAR/HANG/RIGGING/REAR AND
SPREADER [KF760/761]
- 8X EAW PART NUMBER 179105
PIN/QUICK RELEASE/
Ø.38 x 4.00
- 2X EAW PART NUMBER 255100
ASSY/COLLET AND HOIST
RING[KF760 FLYBARS]
- 2X EAW PART NUMBER 255095
ASSY/BAR/HANG/RIGGING/
FRONT[KF760/761]

(4X Ø .397 RIGGING PIN HOLES)
 (1.0 INCREMENTS OF TRAVEL)



DOCUMENT CONTROL PER SPECIFICATION 4.5.201

THIRD ANGLE PROJECTION 	UNLESS OTHERWISE SPECIFIED: ALL DIMENSIONS ARE IN INCHES TOLERANCE IN INCHES X ± .1 XX ± .03 XXX ± .010 FRACTIONS ±1/32 ANGLES ±1/2° (X.XX) = REF DIMS NO TOLERANCE IMPLIED T.S.C.=THEORETICAL SHARP CORNER DIMENSIONS ACROSS CENTERLINES TO BE SYMMETRICAL	STATUS: PRODUCTION		EASTERN ACOUSTIC WORKS ONE MAIN STREET WHITONSVILLE, MA 01558 USA
		APPROVALS	DATE	
		DRAWN: NYSTEDT	04/11/01	ASSEMBLY/FLYBAR [KF760/761]
		CHECKED: KFN	8/02/01	
		DES ENG: TSD	8/02/01	B SHEET 1 OF 1 SCALE: 1 TO 5
		MFG ENG: MCB	8/03/01	DRAWING NUMBER: 255099 REVISION: A