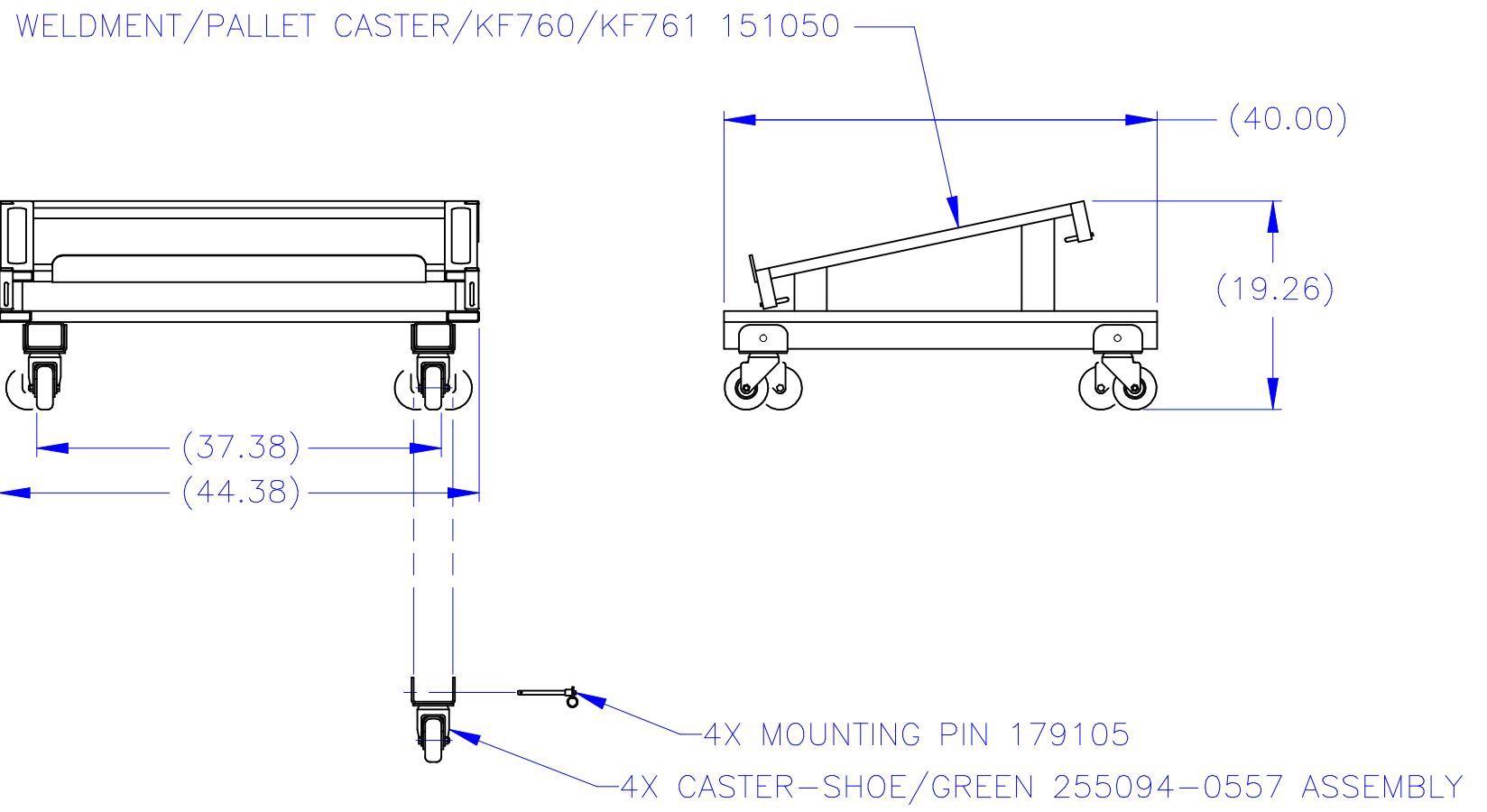


REV	DESCRIPTION	APVD/DATE
A	NEW ISSUE PER DSRWHT 2852 11/18/02 PSN	RS 12/19/02

NOTES:  
1. WEIGHT: APPROXIMATELY 156 POUNDS.



DOCUMENT CONTROL PER SPECIFICATION 4.5.201

<p>THIRD ANGLE PROJECTION</p>	<p>UNLESS OTHERWISE SPECIFIED: ALL DIMENSIONS ARE IN INCHES</p> <p>TOLERANCE IN INCHES .XX ± .13 ANGLES ± 1°</p> <p>(X.XX) = REF DIMS NO TOLERANCE IMPLIED</p> <p>T.S.C.=THEORETICAL SHARP CORNER</p> <p>DIMENSIONS ACROSS CENTERLINES TO BE SYMMETRICAL</p>	<p>STATUS: <b>PRODUCTION</b></p>		<p><b>EA</b> EASTERN ACOUSTIC WORKS ONE MAIN STREET WHITINSVILLE, MA 01588 USA</p>	
		<p>APPROVALS</p> <p>DRAWN: PSN</p> <p>CHECKED: RAS</p> <p>DES ENG: TSD</p> <p>MFG ENG: DBD/MD</p>	<p>DATE</p> <p>11/19/02</p> <p>12/19/02</p> <p>12/20/02</p> <p>12/19/02</p>	<p>TITLE: ASSY/CASTER PALLET/ GREEN/150009/KF760</p>	
<p>THIS DRAWING IS THE PROPERTY OF EAW AND SHALL NOT BE COPIED, REPRODUCED, OR USED AS THE BASIS FOR MANUFACTURE OR SALE OF APPARATUS WITHOUT WRITTEN AUTHORIZATION. DO NOT SCALE DRAWING.</p>				<p>SCALE: 1 TO 1</p>	
				<p>DRAWING NUMBER: 255092-0557</p>	
				<p>REVISION: A</p>	