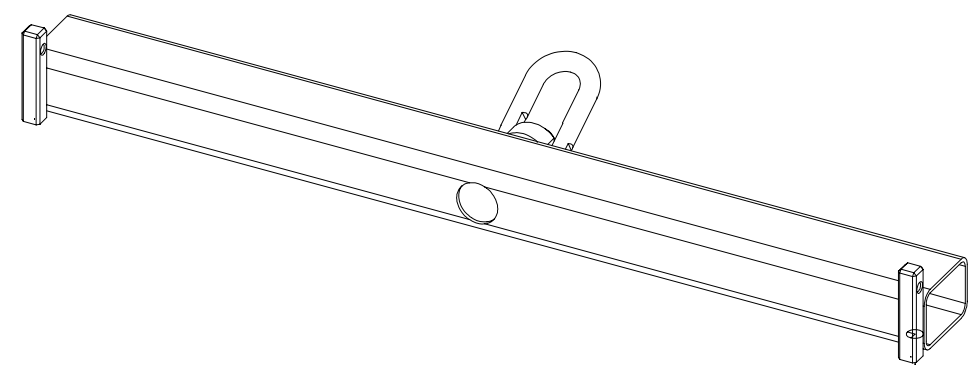
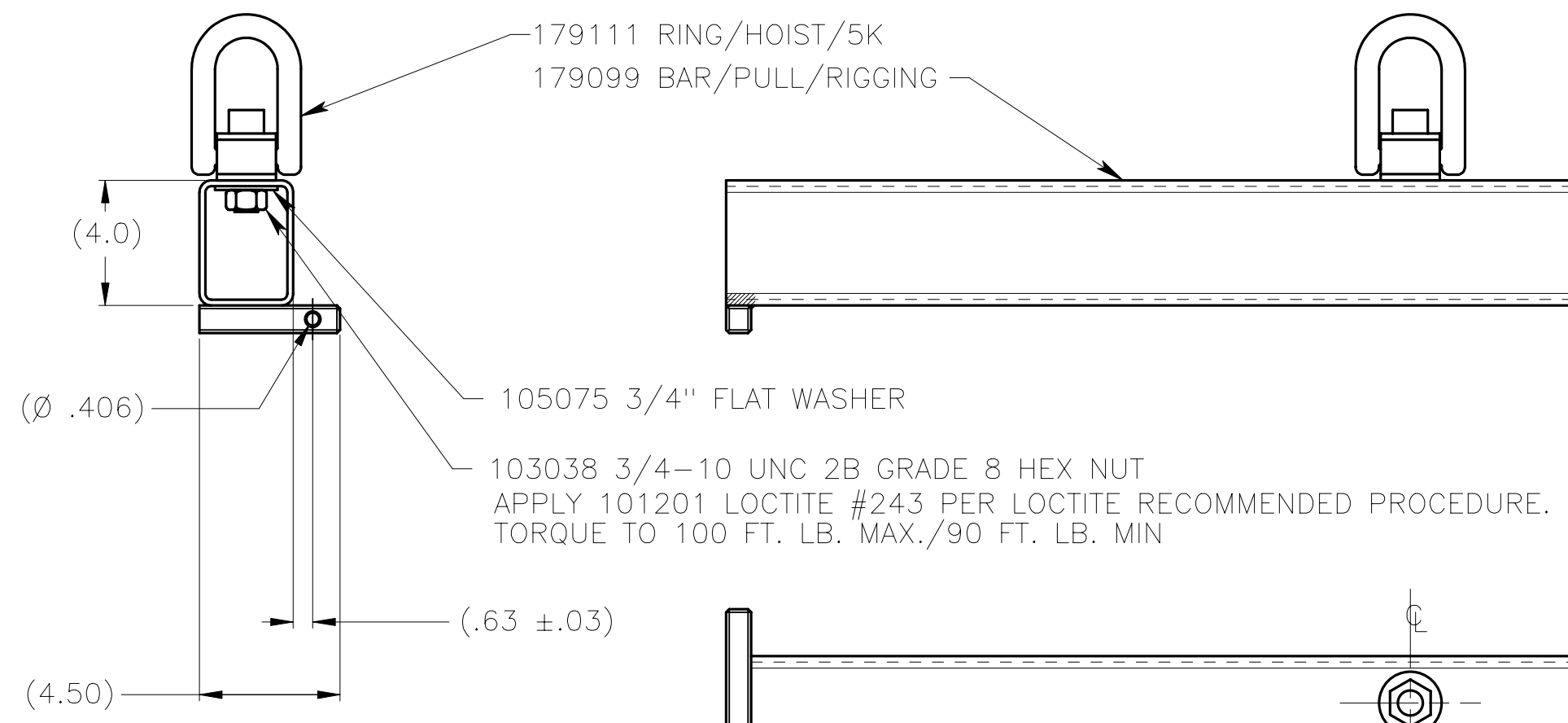
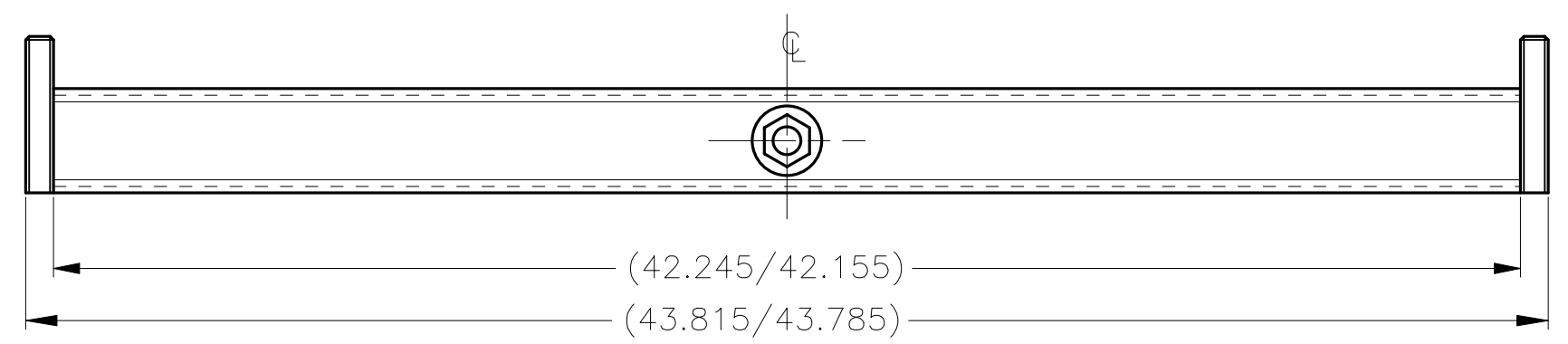
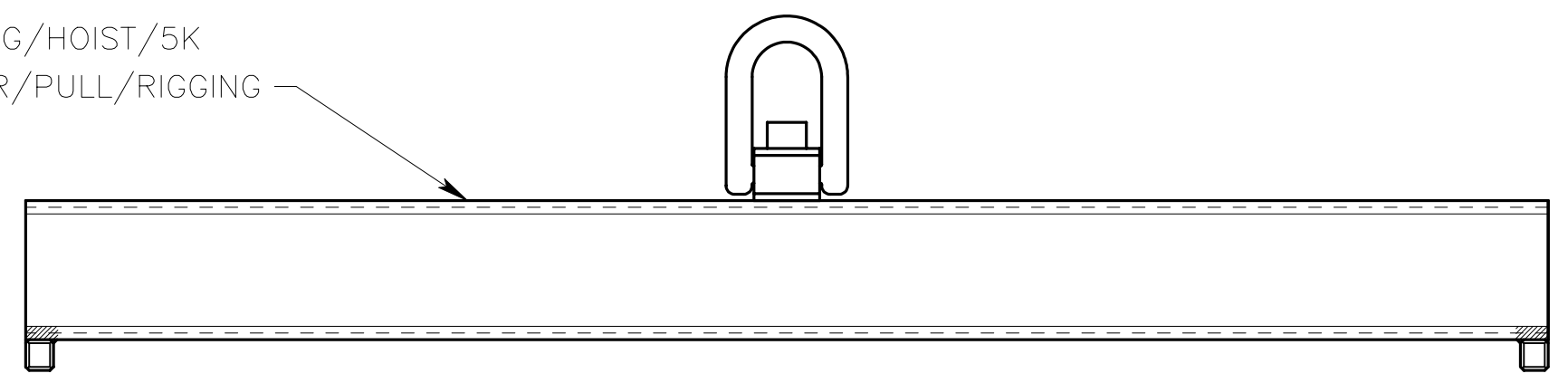
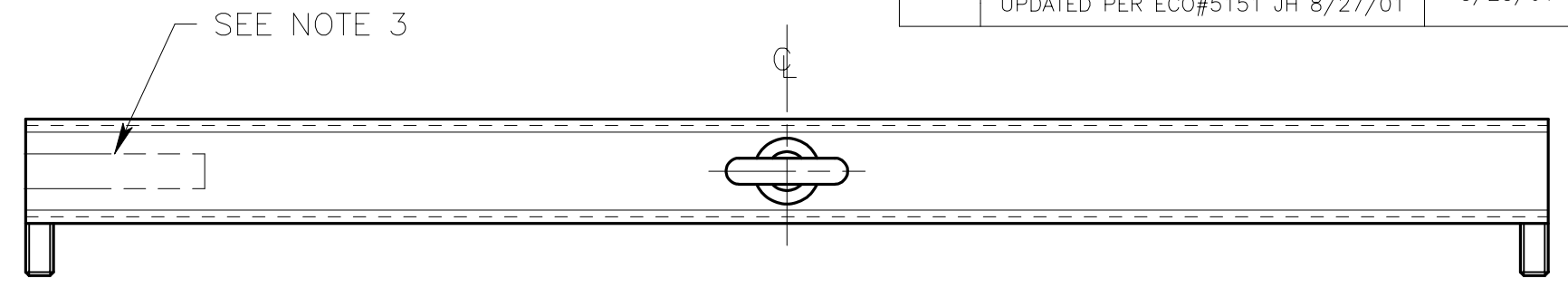


NOTES:

1. MATERIAL: AS SHOWN ON DRAWING
2. PART TO BE CLEAN OF GREASE AND DEBRIS.
3. EAW PART NUMBER AND CURRENT EAW REVISION TO BE STAMPED AT INSIDE OF TUBE IN AREA SHOWN WITH INDELIBLE WHITE INK. LETTERS TO BE 3/16" ±1/16" TALL.
4. REFER TO EAW MATERIAL SPECIFICATION 480455 FOR LABELING AND SHIPPING REQUIREMENTS.
5. APPROX WEIGHT: 34 LBS.

REV	DESCRIPTION	APVD/DATE
0	RELEASED TO PRODUCTION PER DSR 01-618 SS 7/30/01	KFN 7/30/01
A	ORACLE REVISION CONVERSION DRAWING WAS REVISION 0 UPDATED PER ECO#5151 JH 8/27/01	SS 8/28/01



DOCUMENT CONTROL PER SPECIFICATION 4.5.201

	UNLESS OTHERWISE SPECIFIED: ALL DIMENSIONS ARE IN INCHES TOLERANCE IN INCHES .X=±.030 .XX ±.015 .XXX=±.005 FRACTIONS ±1/32 ANGLES ±1/2° (X.XX) = REF DIMS NO TOLERANCE IMPLIED T.S.C.=THEORETICAL SHARP CORNER DIMENSIONS ACROSS CENTERLINES TO BE SYMMETRICAL	STATUS: PRODUCTION		EASTERN ACOUSTIC WORKS ONE MAIN STREET WHITINSVILLE, MA 01588 USA	
		APPROVALS	DATE		TITLE: ASSY/BAR/PULL/RIGGING [KF760/761]
THIS DRAWING IS THE PROPERTY OF EAW AND SHALL NOT BE COPIED, REPRODUCED, OR USED AS THE BASIS FOR MANUFACTURE OR SALE OF APPARATUS WITHOUT WRITTEN AUTHORIZATION. DO NOT SCALE DRAWING.		DRAWN: NYSTEDT	4/17/01	B SHEET 1 OF 1	SCALE: 1 TO 5
		CHECKED: KFN	7/30/01	DRAWING NUMBER: 255096	REVISION: A
		DES ENG: TSD	8/01/01		
		MFG ENG: MCB	8/03/01		