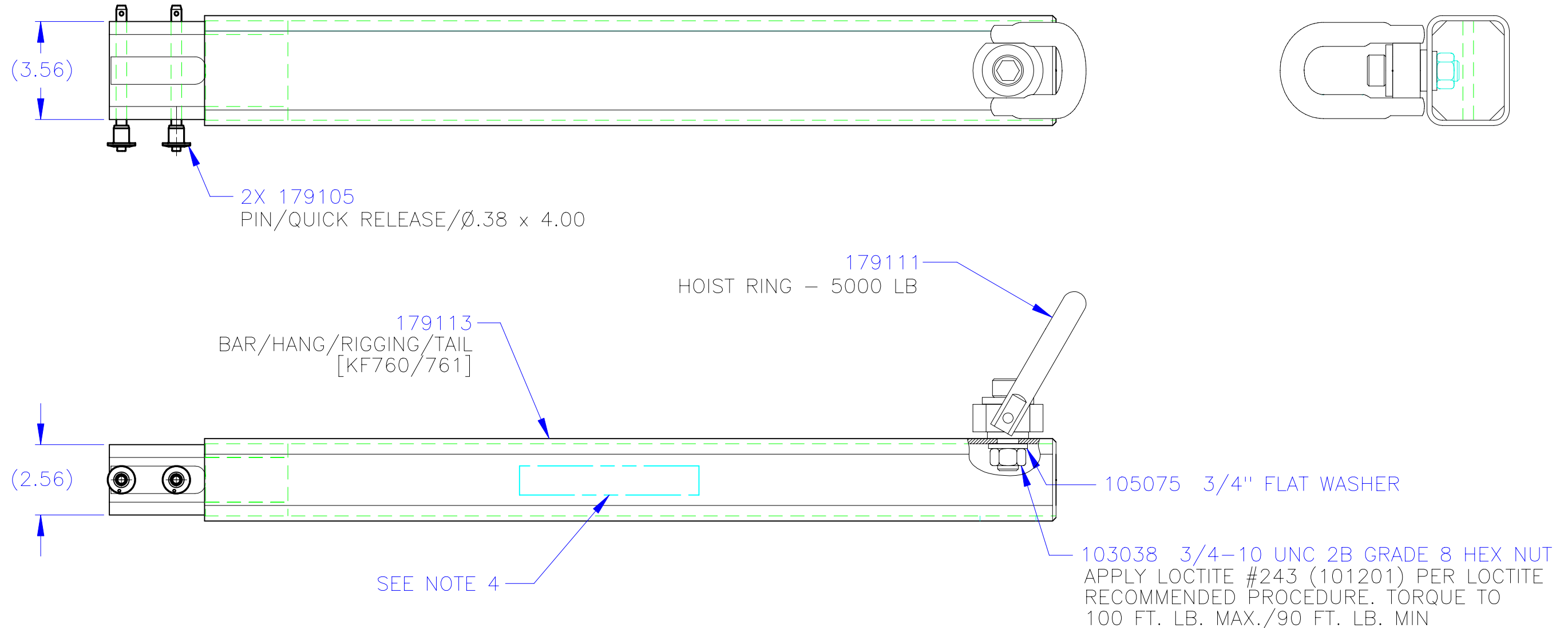


NOTES:

1. ASSEMBLY TO BE CLEANED AND FREE OF GREASE AND DEBRIS.
2. REFER TO EAW MATERIAL SPECIFICATION 480455 FOR LABELING AND SHIPPING REQUIREMENTS.
3. APPROXIMATE WEIGHT OF THIS ASSEMBLY = 38 LBS.
4. PART NUMBER AND CURRENT REVISION TO BE PRINTED WITH INDELIBLE WHITE INK OR LABELED IN AREA SHOWN. LETTERS TO BE .12 HIGH MINIMUM.

REV	DESCRIPTION	APVD/DATE
0	RELEASED TO PRODUCTION PER DSR 01-618 SS 7/30/01	KFN 7/30/01
A	ORACLE REVISION CONVERSION DRAWING WAS REVISION 0 UPDATED PER ECO#5151 JH 8/27/01	DM 9/11/01
B	ADDED SLOTS TO TAIL PLUG PER ECO 5394 SS 9/26/01	RS 9/26/01



DOCUMENT CONTROL PER SPECIFICATION 4.5.201

<p>THIRD ANGLE PROJECTION</p>	<p>UNLESS OTHERWISE SPECIFIED: ALL DIMENSIONS ARE IN INCHES</p> <p>TOLERANCE IN INCHES .X ± .03 .XX ± .015 .XXX ± .005 FRACTIONS ±1/32 ANGLES ±1/2°</p> <p>(X.XX) = REF DIMS NO TOLERANCE IMPLIED</p> <p>T.S.C.=THEORETICAL SHARP CORNER</p> <p>DIMENSIONS ACROSS CENTERLINES TO BE SYMMETRICAL</p>	<p>STATUS: PRODUCTION</p>		<p>EASTERN ACOUSTIC WORKS ONE MAIN STREET WHITINSVILLE, MA 01588 USA</p>
		<p>APPROVALS</p> <p>DRAWN: NYSTEDT</p> <p>CHECKED: KFN</p> <p>DES ENG: TSD</p> <p>MFG ENG: MCB</p>	<p>DATE</p> <p>3/26/01</p> <p>7/30/01</p> <p>8/01/01</p> <p>8/03/01</p>	
<p>THIS DRAWING IS THE PROPERTY OF EAW AND SHALL NOT BE COPIED, REPRODUCED, OR USED AS THE BASIS FOR MANUFACTURE OR SALE OF APPARATUS WITHOUT WRITTEN AUTHORIZATION. DO NOT SCALE DRAWING.</p>			<p>SCALE: 1 TO 4</p>	<p>DRAWING NUMBER: 255097</p>
				<p>REVISION: B</p>