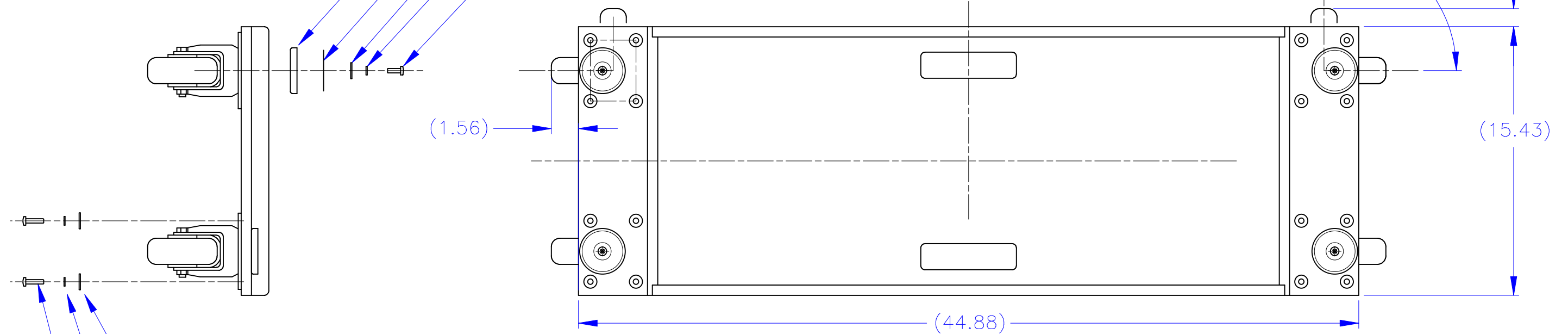


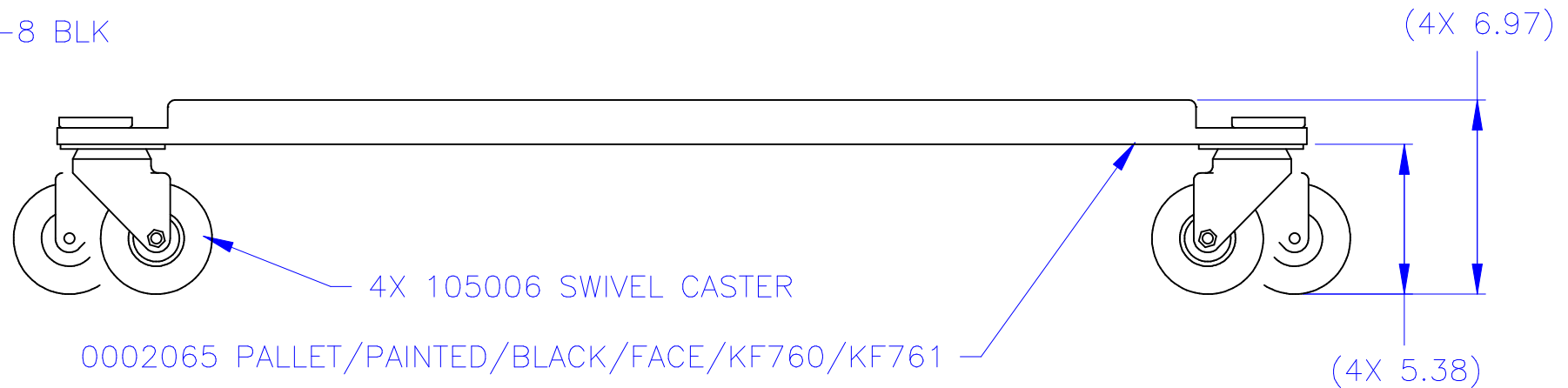
REV	DESCRIPTION	APVD/DATE
A	RELEASED TO PRODUCTION PER DSRWHT 2869 PSN 11/20/02	

NOTES:
1. REFER TO EAW MATERIAL SPEC
480455 FOR LABELING AND SHIPPING
REQUIREMENTS

- 4X 101047 CASTER PALLET MAGNET
- 4X 0002249 VINYL MAGNET LABEL
- 4X 105007 1/4 FLAT WASHER 18-8 BLK
- 4X 105008 1/4 LOCK WASHER 18-8 BLK
- 4X 102039 1/4 - 20 X 3/4 PH PHMS 18-8 BLK



- 16X 105007 1/4 FLAT WASHER 18-8 BLK
- 16X 105008 1/4 LOCK WASHER 18-8 BLK
- 16X 102039 1/4 - 20 X 3/4 PH PHMS 18-8 BLK



DOCUMENT CONTROL PER SPECIFICATION 4.5.201

<p>THIRD ANGLE PROJECTION</p> <p>THIS DRAWING IS THE PROPERTY OF EAW AND SHALL NOT BE COPIED, REPRODUCED, OR USED AS THE BASIS FOR MANUFACTURE OR SALE OF APPARATUS WITHOUT WRITTEN AUTHORIZATION. DO NOT SCALE DRAWING.</p>	<p>UNLESS OTHERWISE SPECIFIED: ALL DIMENSIONS ARE IN INCHES</p> <p>TOLERANCE IN INCHES .X ± .1 .XX ± .03 .XXX ± .010 FRACTIONS ±1/32 ANGLES ±1/2°</p> <p>(X.XX) = REF DIMS NO TOLERANCE IMPLIED</p> <p>T.S.C.=THEORETICAL SHARP CORNER DIMENSIONS ACROSS CENTERLINES TO BE SYMMETRICAL</p>	STATUS: PRODUCTION		<p>EAW EASTERN ACOUSTIC WORKS ONE MAIN STREET WHITINSVILLE, MA 01588 USA</p>	
		APPROVALS	DATE		<p>TITLE: ASSEMBLY/CASTER PALLET/FACE/KF761</p>
		DRAWN: PSN	11/20/02		
		CHECKED:			
DES ENG:		<p>B SHEET 1 OF 1 SCALE: 1 TO 6</p>			
MFG ENG:		DRAWING NUMBER: 0001900		REVISION A	