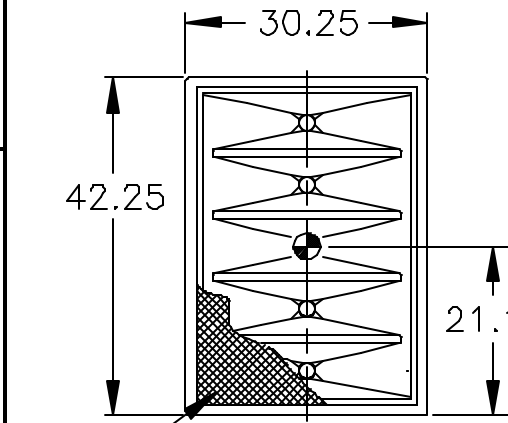


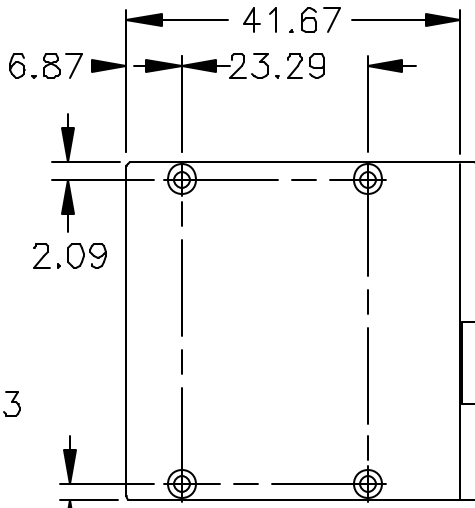
TOP  
DIMENSIONS APPLY TO TOP AND BOTTOM

REV	DESCRIPTION	APVD/DATE
0	NEW ISSUE PER DSR 98-575 JRM 12/17/98	KH 12/22/98
A	ORACLE REVISION CONVERSION DRAWING WAS REVISION 0 UPDATED PER ECO#5151 JH 7/25/01	SS 7/30/01

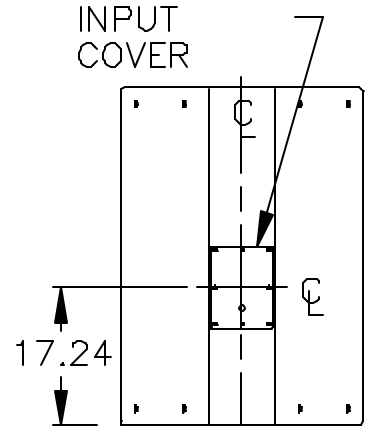
- NOTES:
1. SYMBOL  $\odot$  INDICATES 3/8-16 THREADED HOLE.
  2. SYMBOL  $\bullet$  INDICATES CENTER OF BALANCE.
  3. WEIGHT APPROX: 283 LBS.
  4. SHIPPING WEIGHT APPROX: 308 LBS.
  5. ALLOW 4" CLEARANCE BEHIND CABINET FOR STRAIN RELIEF AND CABLE.



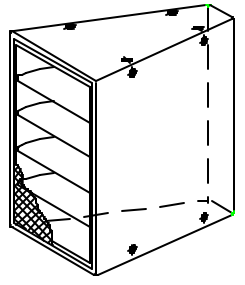
FRONT  
GRILL PARTIALLY SHOWN



VIEW A-A  
DIMENSIONS APPLY TO BOTH SIDES

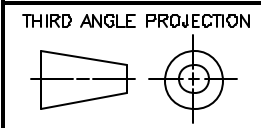


BACK



KF910P-WP

DOCUMENT CONTROL PER SPECIFICATION 4.5.201



UNLESS OTHERWISE SPECIFIED:  
ALL DIMENSIONS ARE IN INCHES  
TOLERANCE IN INCHES  
.XX ± .13  
ANGLES ± 1°

STATUS: PRODUCTION	
APPROVALS	DATE
DRAWN: JRM	12/17/98
CHECKED: KFH	12/22/98
DES ENG: DWG	12/23/98
MFG ENG: KRV	12/30/98

**EA** EASTERN ACOUSTIC WORKS  
ONE MAIN STREET  
WHITINSVILLE, MA 01588 USA

TITLE: CABINET/FINISHED/BLACK  
KF910P-WP  
[MECHANICAL SPECIFICATIONS]

THIS DRAWING IS THE PROPERTY OF EAW AND SHALL NOT BE COPIED, REPRODUCED, OR USED AS THE BASIS FOR MANUFACTURE OR SALE OF APPARATUS WITHOUT WRITTEN AUTHORIZATION. DO NOT SCALE DRAWING.

{X.XX} = REF DIMS  
NO TOLERANCE IMPLIED  
T.S.C.=THEORETICAL SHARP CORNER  
DIMENSIONS ACROSS CENTERLINES TO BE SYMMETRICAL

A	SHEET 1 OF 1	SCALE: 1 TO 24
DRAWING NUMBER: 510717		REVISION: A

