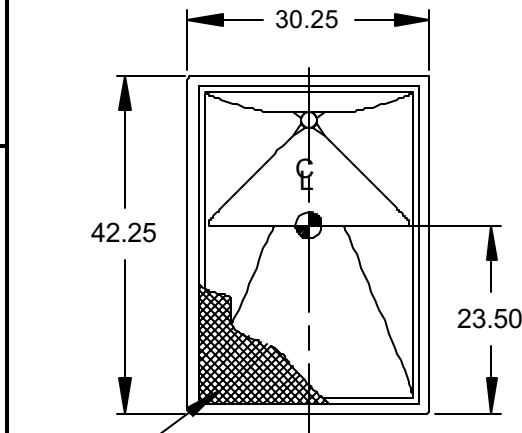
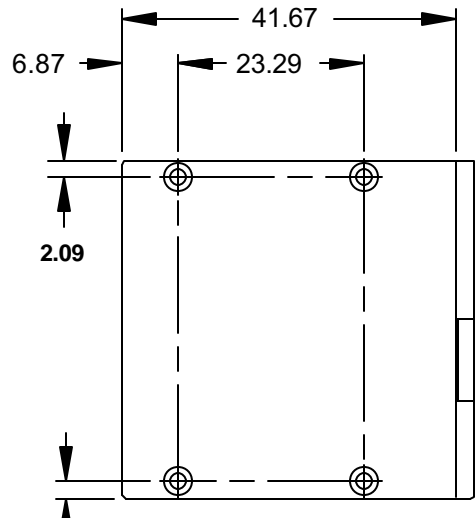


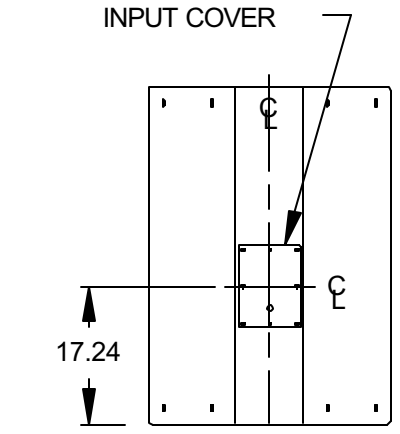
TOP
DIMENSIONS APPLY TO TOP AND BOTTOM



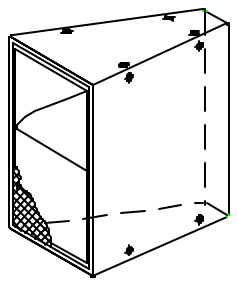
FRONT



VIEW A-A
DIMENSIONS APPLY TO BOTH SIDES

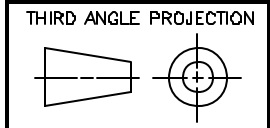


BACK



KF911P-WP

DOCUMENT CONTROL PER SPECIFICATION 4.5.201



UNLESS OTHERWISE SPECIFIED:
ALL DIMENSIONS ARE IN INCHES
TOLERANCE IN INCHES
.XX ± .13
ANGLES ±1°
(X.XX) - REF DIMS
NO TOLERANCE IMPLIED
T.S.C.=THEORETICAL SHARP CORNER
DIMENSIONS ACROSS CENTERLINES
TO BE SYMMETRICAL

STATUS: PRODUCTION	
APPROVALS	DATE
DRAWN: JRM	12/17/98
CHECKED: KFH	12/22/98
DES ENG: DWG	12/23/98
MFG ENG: KRV	12/30/98

EA EASTERN ACOUSTIC WORKS ONE MAIN STREET WHITINSVILLE, MA 01588 USA	
TITLE: CABINET/FINISHED/BLACK KF911P-WP [MECHANICAL SPECIFICATIONS]	
A SHEET 1 OF 1	SCALE: 1 TO 24
DRAWING NUMBER 510716	REVISION A

THIS DRAWING IS THE PROPERTY OF EAW AND SHALL NOT BE COPIED, REPRODUCED, OR USED AS THE BASIS FOR MANUFACTURE OR SALE OF APPARATUS WITHOUT WRITTEN AUTHORIZATION. DO NOT SCALE DRAWING.