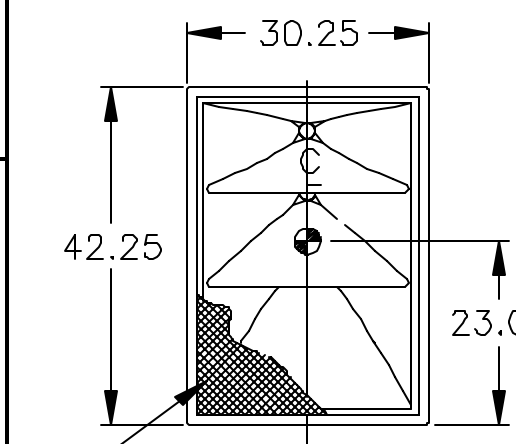
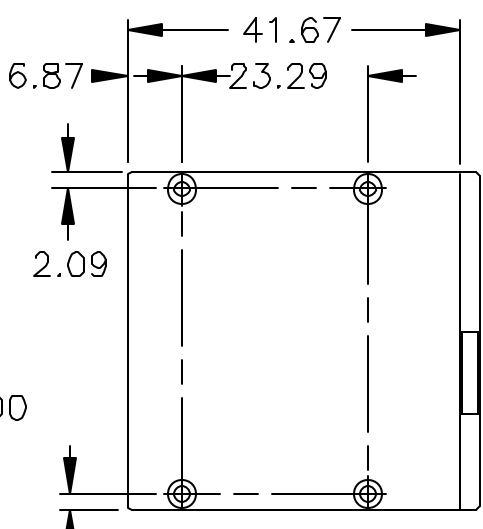


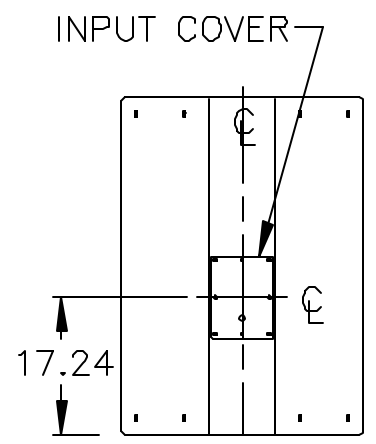
TOP  
DIMENSIONS APPLY TO TOP AND BOTTOM



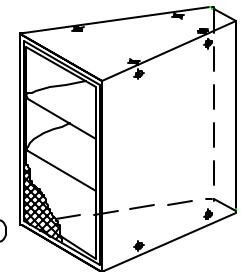
FRONT



VIEW A-A  
DIMENSIONS APPLY TO BOTH SIDES



BACK



REV	DESCRIPTION	APVD/DATE
0	NEW ISSUE PER DSR 98-575 JRM 12/17/98	KH 12/22/98
A	ORACLE REVISION CONVERSION DRAWING WAS REVISION 0 UPDATED PER ECO#5151 JH 7/25/01	SS 7/30/01

- NOTES:
1. SYMBOL © INDICATES 3/8-16 THREADED HOLE.
  2. SYMBOL ⊕ INDICATES CENTER OF BALANCE.
  3. WEIGHT APPROX: 232 LBS.
  4. SHIPPING WEIGHT APPROX: 257 LBS.
  5. ALLOW 4" CLEARANCE BEHIND CABINET FOR STRAIN RELIEF AND CABLE.

KF913P-WP

DOCUMENT CONTROL PER SPECIFICATION 4.5.201

<p>THIRD ANGLE PROJECTION</p> <p>THIS DRAWING IS THE PROPERTY OF EAW AND SHALL NOT BE COPIED, REPRODUCED, OR USED AS THE BASIS FOR MANUFACTURE OR SALE OF APPARATUS WITHOUT WRITTEN AUTHORIZATION. DO NOT SCALE DRAWING.</p>	<p>UNLESS OTHERWISE SPECIFIED, ALL DIMENSIONS ARE IN INCHES</p> <p>TOLERANCE IN INCHES .XX ± .13 ANGLES ± 1°</p> <p>(X.XX) = REF DIMS NO TOLERANCE IMPLIED</p> <p>T.S.C. = THEORETICAL SHARP CORNER</p> <p>DIMENSIONS ACROSS CENTERLINES TO BE SYMMETRICAL</p>	STATUS: PRODUCTION		EASTERN ACOUSTIC WORKS ONE MAIN STREET WHITINSVILLE, MA 01588 USA TITLE: CABINET/FINISHED/BLACK KF913P-WP [MECHANICAL SPECIFICATIONS]	
		APPROVALS	DATE		<p>A SHEET 1 OF 1</p>
		DRAWN: JRM	12/17/98		
		CHECKED: KFH	12/22/98		<p>DRAWING NUMBER: 510713</p>
		DES ENG: DWG	12/28/98		
MFG ENG: KRV	12/30/98	<p>VELLUM</p>			