

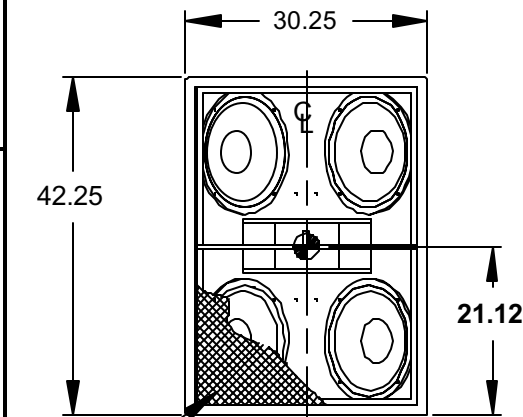
TOP

DIMENSIONS APPLY TO TOP AND BOTTOM

REV	DESCRIPTION	APVD/DATE
0	NEW ISSUE PER DSR 98-575 JRM 12/17/98	KFH 12/22/98
A	ORACLE REVISION CONVERSION DRAWING WAS REVISION 0 UPDATED PER ECO#5151 JH 7/25/01	SS 7/30/01

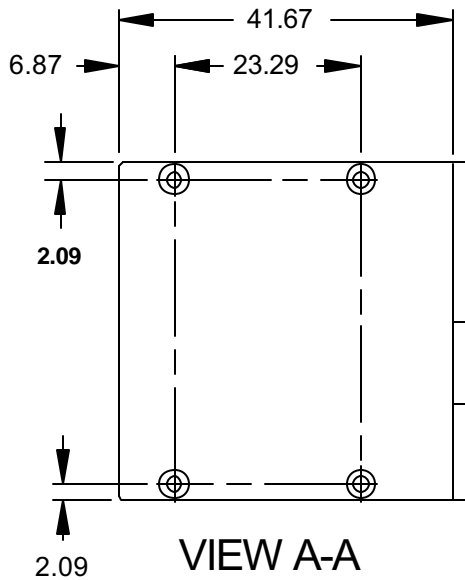
NOTES:

1. SYMBOL INDICATES 3/8-16 THREADED HOLE.
2. SYMBOL INDICATES CENTER OF BALANCE.
3. WEIGHT APPROX: 285 LBS.
4. SHIPPING WEIGHT APPROX: 310 LBS.
5. ALLOW 4" CLEARANCE BEHIND CABINET FOR STRAIN RELIEF AND CABLE.



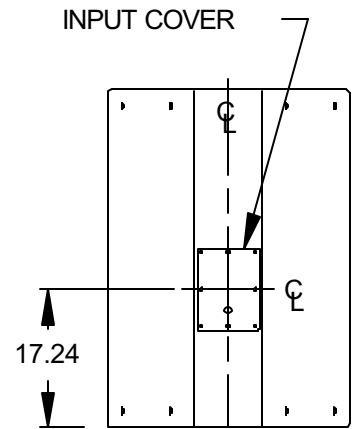
FRONT

GRILL PARTIALLY SHOWN



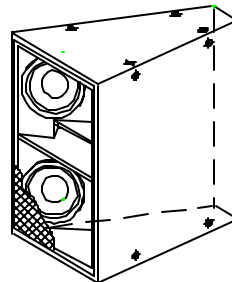
VIEW A-A

DIMENSIONS APPLY TO BOTH SIDES



BACK

KF930P-WP



DOCUMENT CONTROL PER SPECIFICATION 4.5.201

<p>THIRD ANGLE PROJECTION</p> <p>THIS DRAWING IS THE PROPERTY OF EAW AND SHALL NOT BE COPIED, REPRODUCED, OR USED AS THE BASIS FOR MANUFACTURE OR SALE OF APPARATUS WITHOUT WRITTEN AUTHORIZATION. DO NOT SCALE DRAWING</p>	<p>UNLESS OTHERWISE SPECIFIED: ALL DIMENSIONS ARE IN INCHES</p> <p>TOLERANCE IN INCHES XX ± .13 ANGLES ± 1°</p> <p>(XXX) = REF DIMS NO TOLERANCE IMPLIED</p> <p>T.S.C.=THEORETICAL SHARP CORNER</p> <p>DIMENSIONS ACROSS CENTERLINES TO BE SYMMETRICAL</p>	STATUS: <b>PRODUCTION</b>		<p><b>EAW</b> EASTERN ACOUSTIC WORKS ONE MAIN STREET WHITINSVILLE, MA 01588 USA</p> <p>TITLE: CABINET/FINISHED/BLACK KF930P-WP [MECHANICAL SPECIFICATIONS]</p>
		APPROVALS	DATE	
		DRAWN: JRM	12/17/98	
		CHECKED: JRM	12/22/98	
		DES ENG: JRM	12/28/98	
MFG ENG: JRM	12/30/98			
DRAWING NUMBER: 510715		REVISION: A		