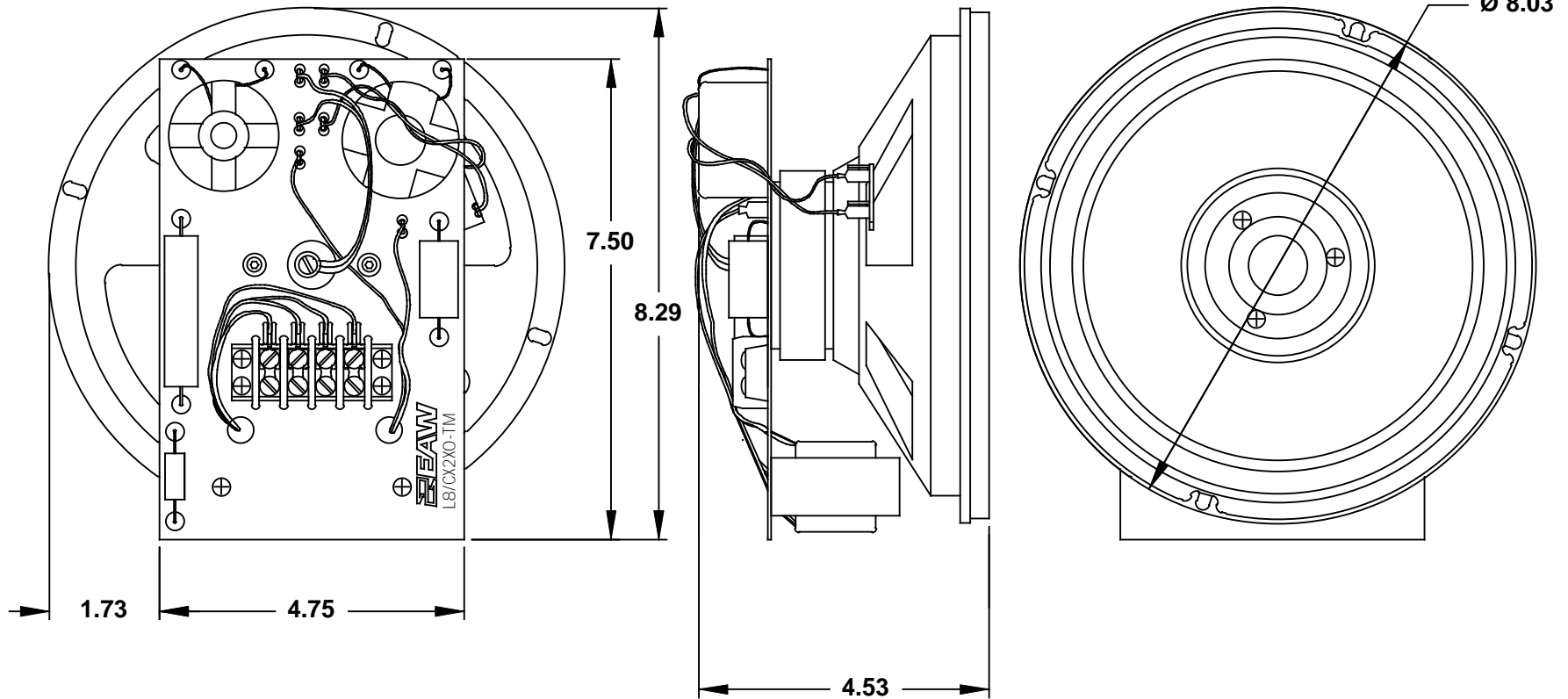


**NOTES:**

**1. WEIGHT APPROX. 5.00 LBS.**

**2. SHIPPING WEIGHT APPROX. 6.00 LBS.**

REV	DESCRIPTION	APVD/DATE
0	NEW ISSUED PER DSR #00-1140 DM 9/6/00.	KFH 9/6/00



<p>THIRD ANGLE PROJECTION</p>	<p>UNLESS OTHERWISE SPECIFIED: ALL DIMENSIONS ARE IN INCHES</p> <p>TOLERANCE IN INCHES          .X ± .1    .XX ± .03    .XXX ± .010          FRACTIONS ±1/32          ANGLES ±1/2°</p> <p>(X.XX) = REF DIMS          NO TOLERANCE IMPLIED</p> <p>T.S.C.=THEORETICAL SHARP CORNER</p> <p>DIMENSIONS ACROSS CENTERLINES          TO BE SYMMETRICAL</p>	<p>STATUS: <b>PRODUCTION</b></p>		<p><b>EAW</b> EASTERN ACOUSTIC WORKS          ONE MAIN STREET          WHITINSVILLE, MA 01588 USA</p>			
		<p>APPROVALS</p> <p>DRAWN: DM</p> <p>CHECKED: KFH</p> <p>DES ENG: JR</p> <p>MFG ENG: MCB</p>	<p>DATE</p> <p>9/6/00</p> <p>9/6/00</p> <p>9/6/00</p> <p>9/6/00</p>		<p>TITLE:  <b>L8/CX2X0-MT</b>  <b>ASSEMBLY 275012</b></p>		
<p>THIS DRAWING IS THE PROPERTY          OF EAW AND SHALL NOT BE          COPIED, REPRODUCED, OR USED          AS THE BASIS FOR MANUFACTURE          OR SALE OF APPARATUS WITHOUT          WRITTEN AUTHORIZATION. DO NOT          SCALE DRAWING.</p>			<p><b>A</b></p>	<p>SHEET 1 OF 1</p>	<p>SCALE: 1 TO 2.5</p>	<p>DRAWING NUMBER:          275012</p>	<p>REVISION:          0</p>