



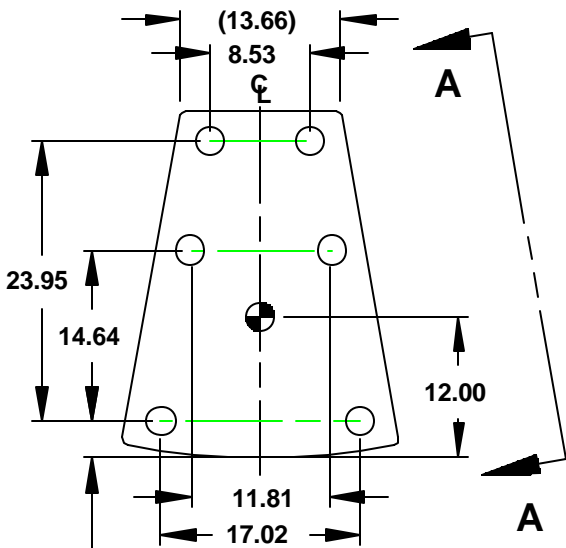
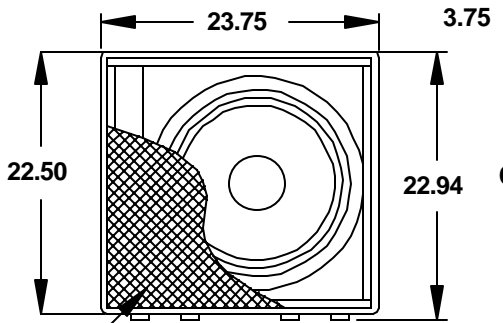


REV	DESCRIPTION	APVD/DATE
1	REVISED PER ECO #5134 DM 2/23/01	KFH 2/23/01
B	ORACLE REVISION CONVERSION DRAWING WAS REV 1 PER ECO 5151 SS 6/20/01	ES 6/20/01

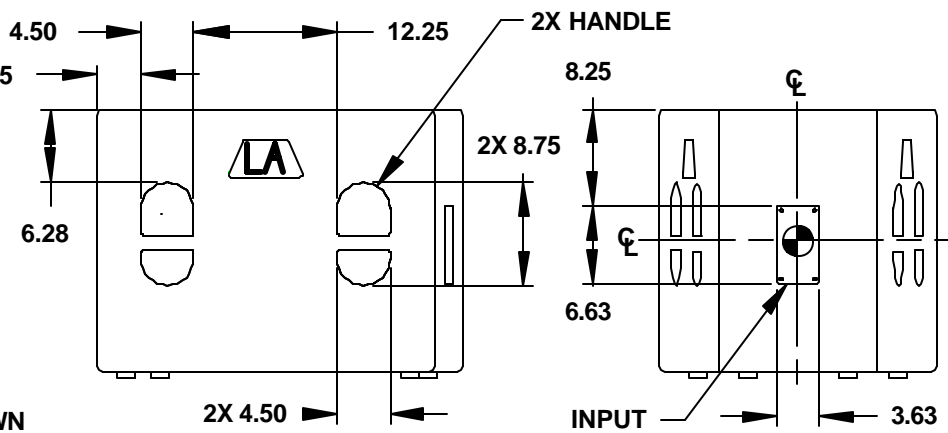
- NOTES:
1. SYMBOL  INDICATES MOUNTING POINT CASTER PALLET
 2. SYMBOL  INDICATES RUBBER FOOT.
 3. SYMBOL  INDICATES FOOT CUP.
 4. SYMBOL  INDICATES CENTER OF BALANCE.
 5. WEIGHT APPROX. 83 LBS.
 6. SHIPPING WEIGHT APPROX. 104 LBS.



TOP

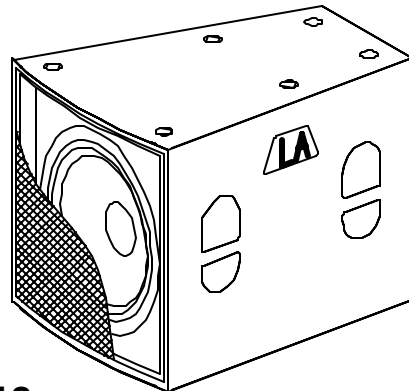


FRONT



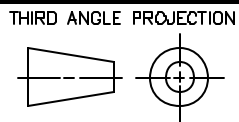
VIEW A-A
DIMENSIONS APPLY TO BOTH SIDES

BACK



LA118z

DOCUMENT CONTROL PER SPECIFICATION 4.5.201



UNLESS OTHERWISE SPECIFIED, ALL DIMENSIONS ARE IN INCHES

TOLERANCE IN INCHES
.XX ± .13
ANGLES ± 1°

(X.XX) = REF DIMS
NO TOLERANCE IMPLIED

T.S.C. = THEORETICAL SHARP CORNER

DIMENSIONS ACROSS CENTERLINES TO BE SYMMETRICAL

STATUS: PRODUCTION	
APPROVALS	DATE
DRAWN: SS	12/18/00
CHECKED: KFH	1/16/01
DES ENG: ZC	1/19/01
MFG ENG: MD	1/19/01

EA EASTERN ACOUSTIC WORKS
ONE MAIN STREET
WHITINSVILLE, MA 01588 USA

TITLE
CABINET/FINISHED/BLACK/LA118z
[MECHANICAL SPECIFICATION]

A SHEET 1 OF 1 SCALE: 1 TO 16

DRAWING NUMBER: 509108 REVISION: B

THIS DRAWING IS THE PROPERTY OF EAW AND SHALL NOT BE COPIED, REPRODUCED, OR USED AS THE BASIS FOR MANUFACTURE OR SALE OF APPARATUS WITHOUT WRITTEN AUTHORIZATION. DO NOT SCALE DRAWING.