
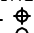


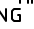


1

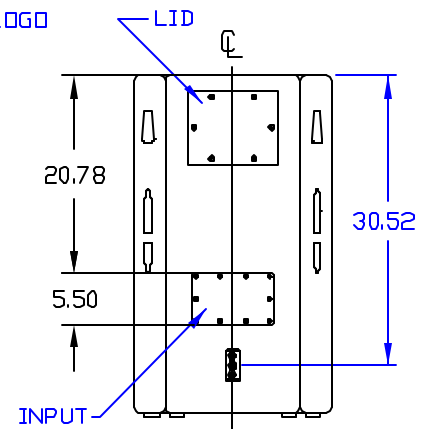
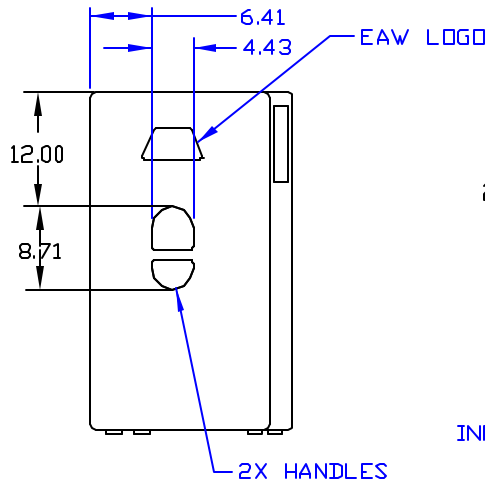
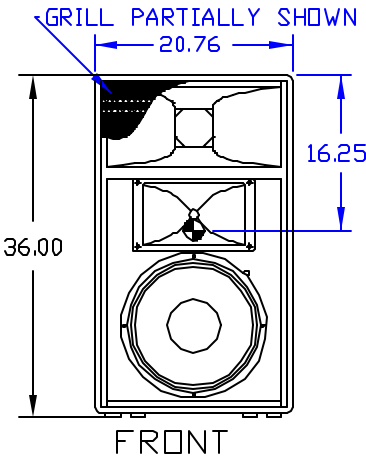
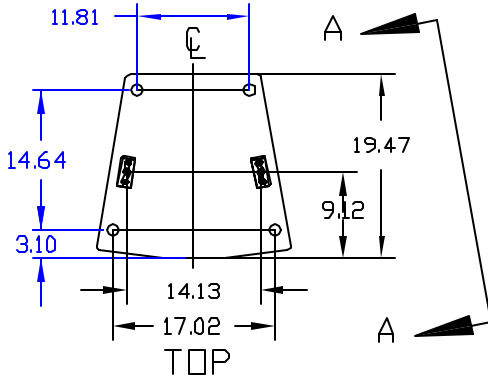
2

3

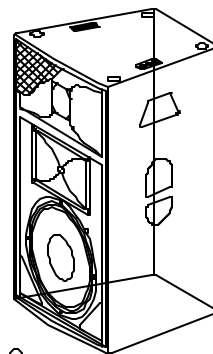
NOTES:

- 1. SYMBOL  INDICATES CASTER PALLET MOUNTING POINT.
- 2. SYMBOL  INDICATES RUBBER FOOT.
- 3. SYMBOL  INDICATES FOOT CUP.
- 4. SYMBOL  INDICATES CENTER OF BALANCE.
- 5. SYMBOL  INDICATES 3.00 X 1.35 FLY TRACK.
- 6. WEIGHT APPROX. 138 LBS.
- 7. SHIPPING WEIGHT APPROX. 144 LBS.

REV	DESCRIPTION	APVD/DATE
1	REVISED PER ECO #3314. RAS 8/13/98	KH 8/19/98
2	6X CHANGED ? OF MOUNTING POINTS ON LID, PER ECO # 3615. DM 3/17/99	RS 3/30/99



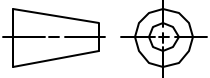
VIEW A-A  
DIMENSIONS APPLY  
TO BOTH SIDES



LA460

DOCUMENT CONTROL PER SPECIFICATION 4.5.201

THIRD ANGLE PROJECTION



UNLESS OTHERWISE SPECIFIED:  
ALL DIMENSIONS ARE IN INCHES  
TOLERANCE IN INCHES  
.XX ± .J3  
ANGLES ±II

CX.XX = REF DIMS  
NO TOLERANCE IMPLIED  
T.S.C.=THEORETICAL SHARP CORNER  
DIMENSIONS ACROSS CENTERLINES  
TO BE SYMMETRICAL

STATUS: PRODUCTION

APPROVALS DATE

DRAWN:	JRM	3/6/98
--------	-----	--------

CHECKED:	RAS	3/6/98
----------	-----	--------

DES ENG:	JR	3/9/98
----------	----	--------

MFG ENG:	KRV	3/9/98
----------	-----	--------

**EAW** EASTERN ACOUSTIC WORKS  
ONE MAIN STREET  
WHITINSVILLE, MA 01588 USA

TITLE: CABINET/FINISHED/BLACK/  
LA460  
[MECHANICAL SPECIFICATION]

A	SHEET 1 OF 1	SCALE: 1 TO 20
---	--------------	----------------

DRAWING NUMBER:	510630	REVISION:	2
-----------------	--------	-----------	---

THIS DRAWING IS THE PROPERTY  
OF EAW AND SHALL NOT BE  
COPIED, REPRODUCED, OR USED  
AS THE BASIS FOR MANUFACTURE  
OR SALE OF APPARATUS WITHOUT  
WRITTEN AUTHORIZATION. DO NOT  
SCALE DRAWING.

1

2

3

VELLUM