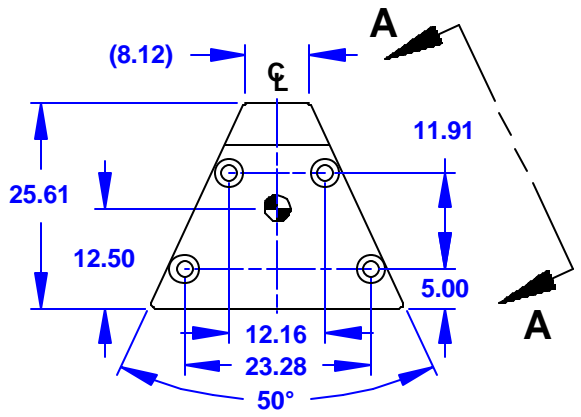


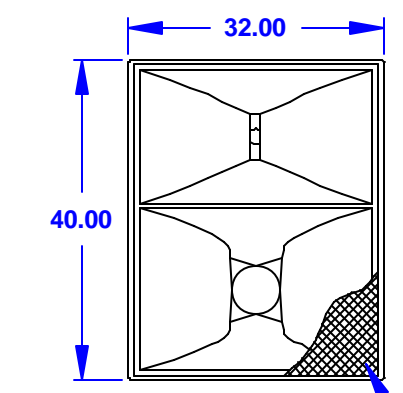
REV	DESCRIPTION	APVD/DATE
A	RELEASED TO PRODUCTION FROM REV 1 PER DSR #02-982 DM 8/30/02	RS 8/30/02



**TOP**

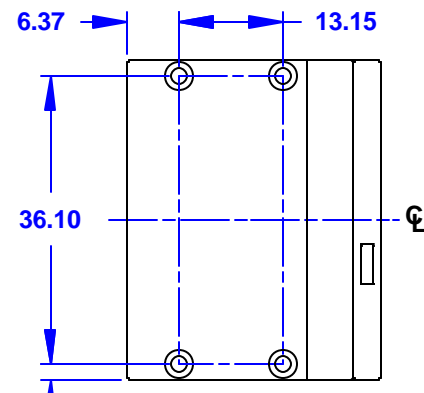
DIMENSIONS APPLY TO  
TOP AND BOTTOM

- NOTES:**
1. SYMBOL INDICATES MOUNTING POINT, 3/8-16 THREADED HOLE (PI ANGLE).
  2. SYMBOL INDICATES NON LOAD BEARING MOUNTING POINT, 3/8-16 THREADED HOLE (PI ANGLE).
  3. SYMBOL INDICATES CENTER OF BALANCE.
  4. WEIGHT APPROX. 155 LBS.
  5. SHIPPING WEIGHT APPROX. 180 LBS.



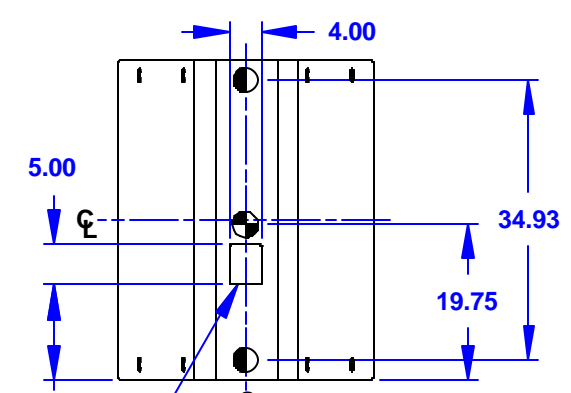
**FRONT**

GRILLE PARTIALLY SHOWN



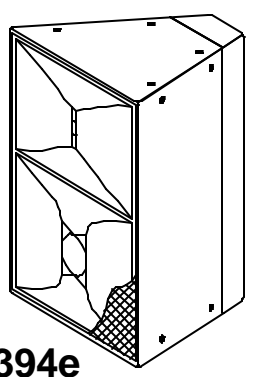
**VIEW A-A**

DIMENSIONS APPLY TO  
BOTH SIDES



**BACK**

INPUT



**MQ1394e**

DOCUMENT CONTROL PER SPECIFICATION 4.5.201

<p>THIRD ANGLE PROJECTION</p> <p>THIS DRAWING IS THE PROPERTY OF EAW AND SHALL NOT BE COPIED, REPRODUCED, OR USED AS THE BASIS FOR MANUFACTURE OR SALE OF APPARATUS WITHOUT WRITTEN AUTHORIZATION. DO NOT SCALE DRAWING.</p>	<p>UNLESS OTHERWISE SPECIFIED; ALL DIMENSIONS ARE IN INCHES</p> <p>TOLERANCE IN INCHES .XX ± .13 ANGLES ± 1°</p> <p>(X.XX) = REF DIMS NO TOLERANCE IMPLIED</p> <p>T.S.C.=THEORETICAL SHARP CORNER</p> <p>DIMENSIONS ACROSS CENTERLINES TO BE SYMMETRICAL</p>	<p>STATUS: <b>PRODUCTION</b></p>		<p><b>EAW</b> EASTERN ACOUSTICWORKS ONE MAIN STREET WHITINSVILLE, MA 01588 USA</p> <p>TITLE: CABINET/FINISHED/BLACK/ MQ1394e [MANUFACTURING SPECIFICATION]</p>
		APPROVALS	DATE	
		DRAWN: JRM	3/20/02	
		CHECKED: RS	8/30/02	
		DES ENG: JAR	9/11/02	
MFG ENG: DBD	9/18/02			
DRAWING NUMBER: 0001939		REVISION: A		