
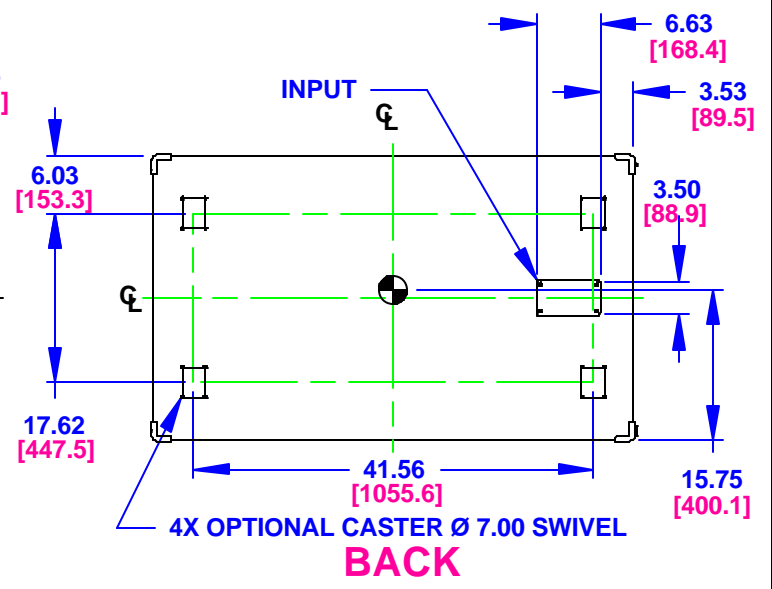
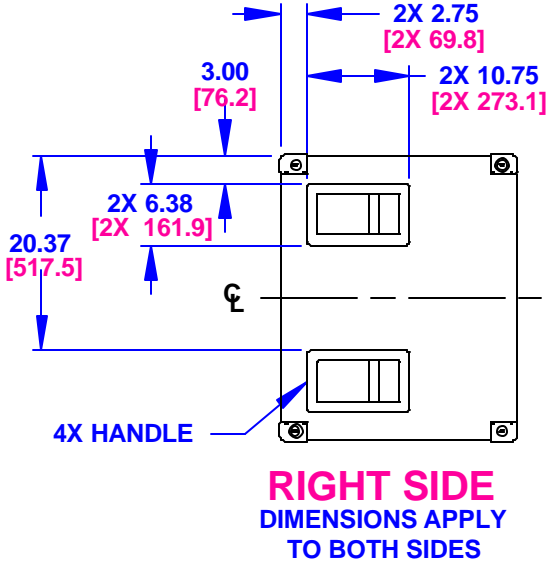
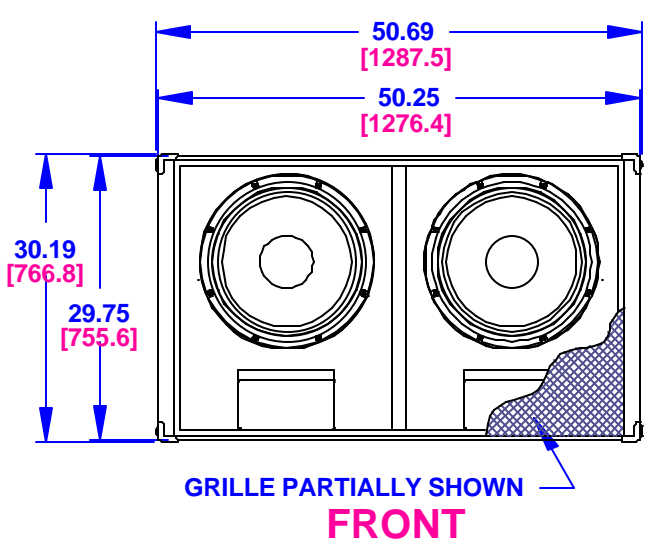
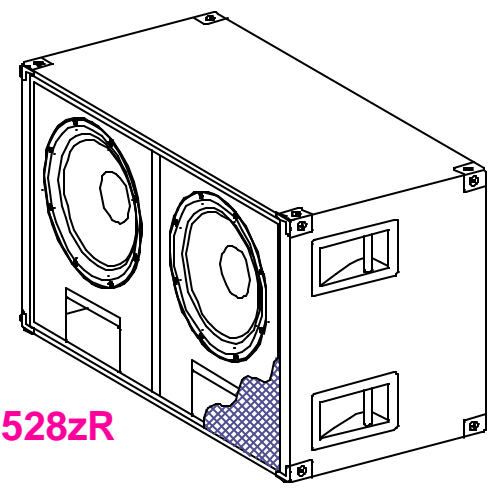
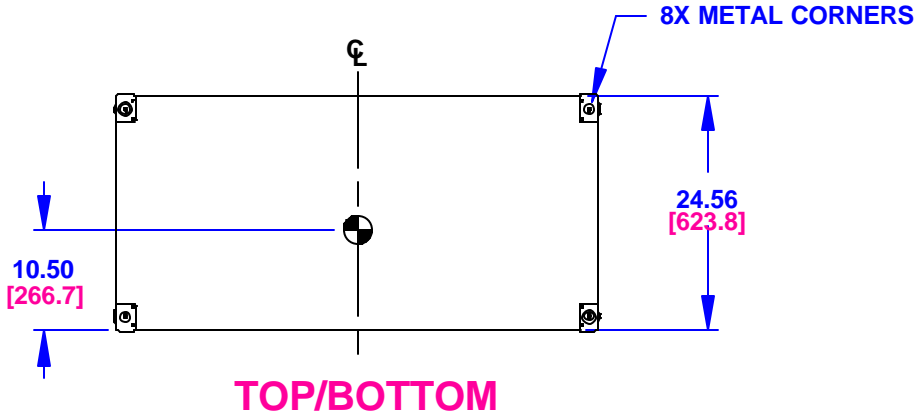


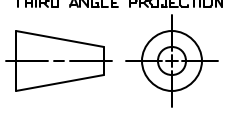
NOTES:

- 1. SYMBOL  INDICATES CENTER OF BALANCE.
- 2. WEIGHT APPROX. 215 lb [97.5 kg]
- 3. SHIPPING WEIGHT APPROX. 242 lb [109.8 kg]

REV	DESCRIPTION	APVD/DATE
C	REVISED PER ECOWHT3608 DM 11/4/04	JB 11/17/04



DOCUMENT CONTROL PER SPECIFICATION 4.5.201

<p>THIRD ANGLE PROJECTION</p> 	<p>UNLESS OTHERWISE SPECIFIED ALL DIMENSIONS ARE: INCHES [MILLIMETERS]</p> <p>TOLERANCES LINEAR ± 0.13 in/± 3.3 mm ANGLES ± 1°</p> <p>(X.XX) = REF DIMS NO TOLERANCE IMPLIED</p> <p>TSC=THEORETICAL SHARP CORNER DIMENSIONS ACROSS CENTERLINES TO BE SYMMETRICAL</p>	<p>STATUS: PRODUCTION</p>		<p>EAW EASTERN ACOUSTIC WORKS ONE MAIN STREET WHITINSVILLE, VA D1588 USA</p>	
		<p>APPROVALS</p> <p>DRAWN: RAS</p> <p>CHECKED: KFH</p> <p>DES ENG: ZC</p> <p>MFG ENG: MD</p>	<p>DATE</p> <p>4/12/00</p> <p>2/12/01</p> <p>2/20/01</p> <p>2/22/01</p>		<p>TITLE:</p> <p>CABINET/FINISHED/BLACK/ SB528zR [MECHANICAL SPECIFICATION]</p>
<p>THIS DRAWING IS THE PROPERTY OF EAW AND SHALL NOT BE COPIED, REPRODUCED, OR USED AS THE BASIS FOR MANUFACTURE OR SALE OF APPARATUS WITHOUT WRITTEN AUTHORIZATION. DO NOT SCALE DRAWING.</p>		<p>A SHEET 1 OF 1</p>	<p>SCALE: 1 TO 20</p>	<p>DRAWING NUMBER: 509040</p>	<p>REVISION: C</p>