


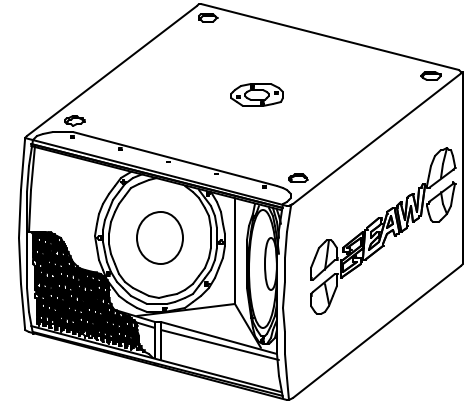


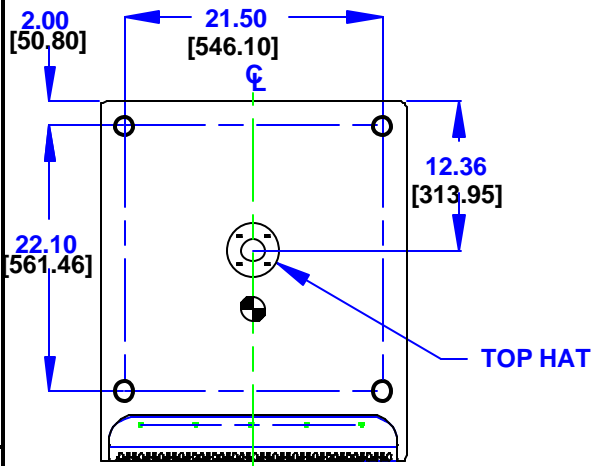
REV	DESCRIPTION	APVD/DATE
B	ADDED METRIC DIMENSIONS AND CHANGED TOLERANCE BLOCK TO CURRENT STANDARDS PER ECOWHT 4002 12/06/05	RS 12/7/05

NOTES:

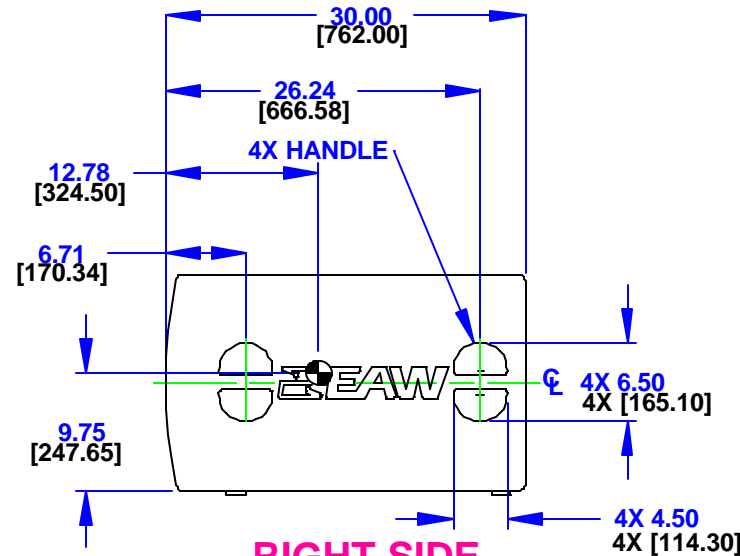
1. SYMBOL  INDICATES FOOT CUP.
2. SYMBOL  INDICATES RUBBER FOOT.
3. SYMBOL  INDICATES CENTER OF BALANCE.
4. WEIGHT APPROX. 105 LBS[47.6 Kg]
5. SHIPPING WEIGHT APPROX. 119 LBS[54.0 Kg]
6. HEIGHT OF FEET APPROX. .4" [10 mm]



SBX220

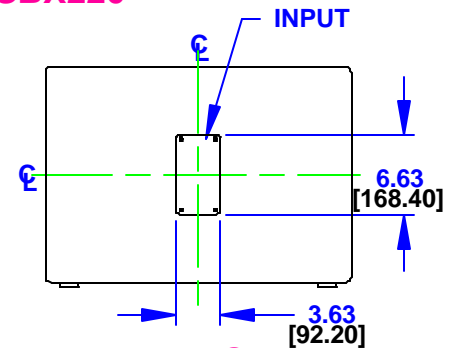


TOP

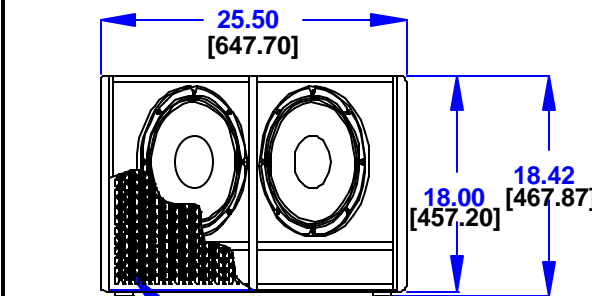


RIGHT SIDE

DIMENSIONS APPLY TO BOTH SIDES

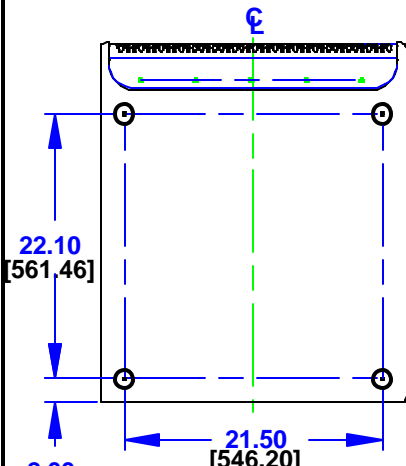


BACK

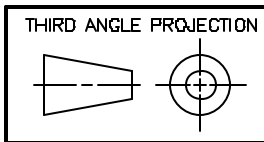


FRONT

GRILLE PARTIALLY SHOWN



BOTTOM



THIS DRAWING IS THE PROPERTY OF EAW AND SHALL NOT BE COPIED, REPRODUCED, OR USED AS THE BASIS FOR MANUFACTURE OR SALE OF APPARATUS WITHOUT WRITTEN AUTHORIZATION. DO NOT SCALE DRAWING.

UNLESS OTHERWISE SPECIFIED: ALL DIMENSIONS ARE INCHES [MILLIMETERS]

TOLERANCES
LINEAR ± 0.13 in/ ± 3.3 mm
ANGLES $\pm 1^\circ$

(X.XX) = REF DIMS
NO TOLERANCE IMPLIED

TSC=THEORETICAL SHARP CORNER
DIMENSIONS ACROSS CENTERLINES TO BE SYMMETRICAL

STATUS: **PRODUCTION**

APPROVALS	DATE
DRAWN: DM	2/10/03
CHECKED: RS	2/20/03
DES ENG: JR	2/20/03
MFG ENG: DD	2/20/03

DOCUMENT CONTROL PER SPECIFICATION 4.5.201

EAW EASTERN ACOUSTIC WORKS
ONE MAIN STREET
WHITINSVILLE, MA 01588 USA

TITLE: CABINET/FINISHED/BLACK/SBX220
[MECHANICAL SPECIFICATION]

A SHEET 1 OF 1 SCALE: 1 TO 16

DRAWING NUMBER: 0006237 REVISION: **B**