

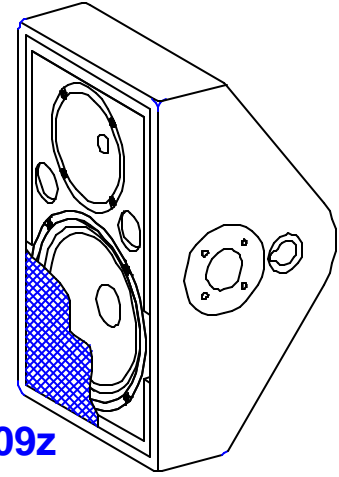
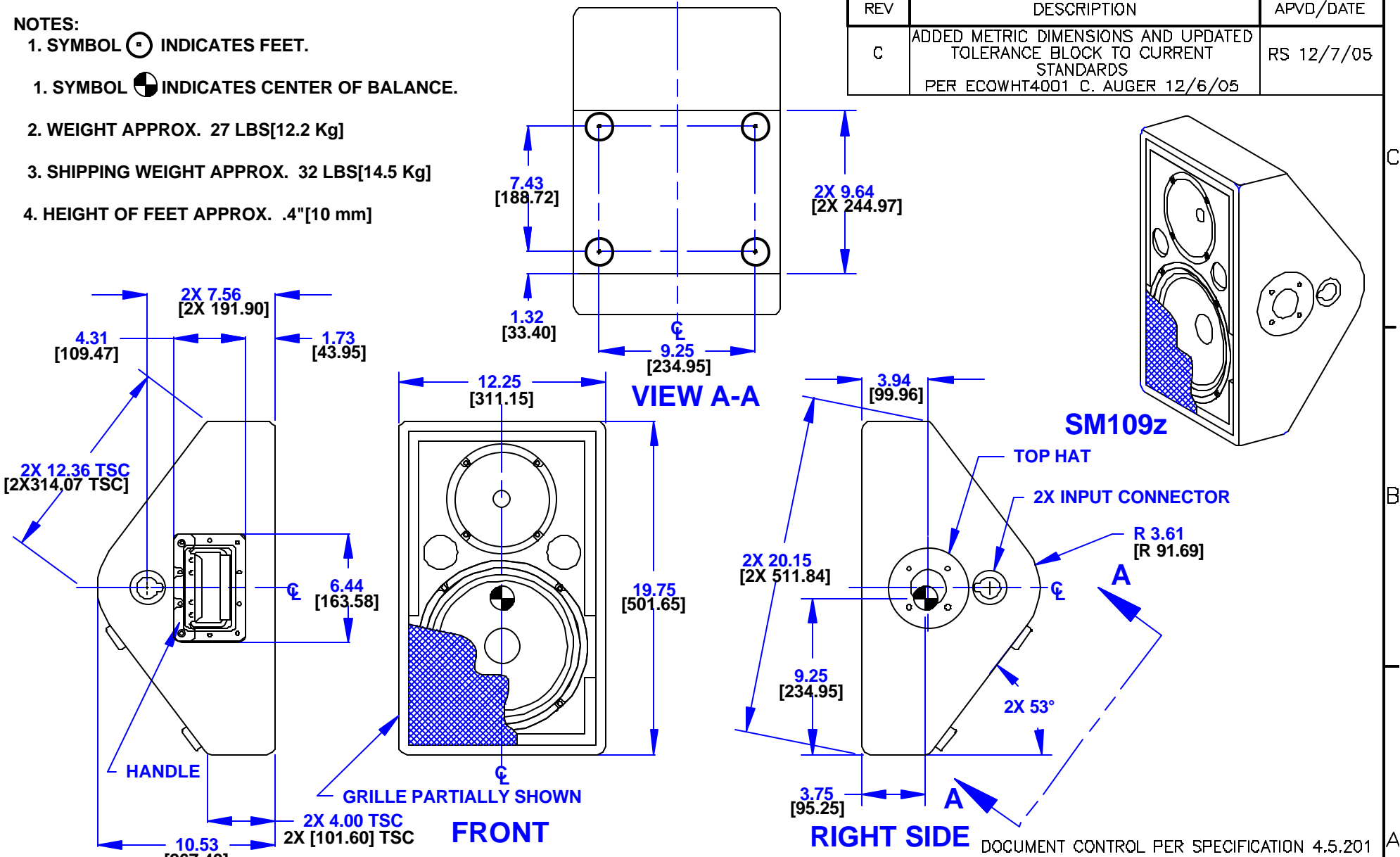


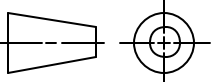
NOTES:

- 1. SYMBOL  INDICATES FEET.
- 1. SYMBOL  INDICATES CENTER OF BALANCE.
- 2. WEIGHT APPROX. 27 LBS[12.2 Kg]
- 3. SHIPPING WEIGHT APPROX. 32 LBS[14.5 Kg]
- 4. HEIGHT OF FEET APPROX. .4"[10 mm]

REV	DESCRIPTION	APVD/DATE
C	ADDED METRIC DIMENSIONS AND UPDATED TOLERANCE BLOCK TO CURRENT STANDARDS PER ECOWHT4001 C. AUGER 12/6/05	RS 12/7/05



THIRD ANGLE PROJECTION



THIS DRAWING IS THE PROPERTY OF EAW AND SHALL NOT BE COPIED, REPRODUCED, OR USED AS THE BASIS FOR MANUFACTURE OR SALE OF APPARATUS WITHOUT WRITTEN AUTHORIZATION. DO NOT SCALE DRAWING.

UNLESS OTHERWISE SPECIFIED:
ALL DIMENSIONS ARE INCHES [MILLIMETERS]

TOLERANCES
LINEAR ± 0.13 in/ ± 3.3 mm
ANGLES ± 1°

{X.XX} - REF DIMS
NO TOLERANCE IMPLIED

TSC=THEORETICAL SHARP CORNER
DIMENSIONS ACROSS CENTERLINES
TO BE SYMMETRICAL

STATUS: PRODUCTION	
APPROVALS	DATE
DRAWN: DM	5/31/02
CHECKED: RS	9/12/02
DES ENG: NDB	9/12/02
MFG ENG: DBD	9/13/02

EAW EASTERN ACOUSTIC WORKS
ONE MAIN STREET
WHITINSVILLE, MA 01588 USA

TITLE:
CABINET/FINISHED/BLACK/SM109z
[MECHANICAL SPECIFICATION]

A SHEET 1 OF 1 SCALE: 1 TO 8

DRAWING NUMBER: 0001243 REVISION: C

DOCUMENT CONTROL PER SPECIFICATION 4.5.201