

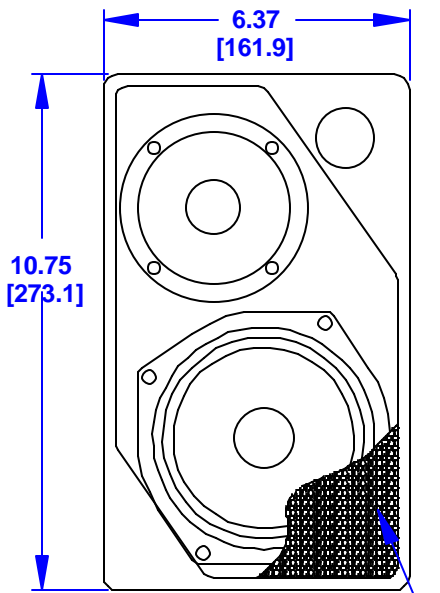


**NOTES:**

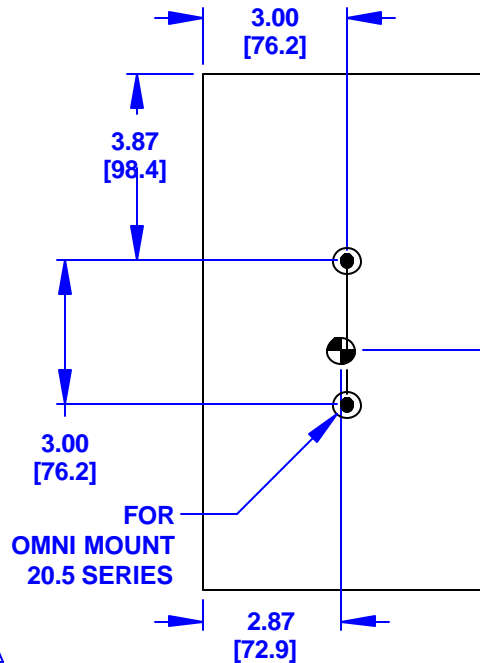
1. SYMBOL  INDICATES MOUNTING POINT, 1/4-20 THREADED HOLE.
2. SYMBOL  INDICATES CENTER OF BALANCE.
3. WEIGHT APPROX. 10.00 lb [4.5 kg].
4. SHIPPING WEIGHT APPROX. 12.00 lb [5.4 kg].

REV	DESCRIPTION	APVD/DATE
D	REVISED PER ECOWHT3808 MELANIE 5/17/05	DM 5/17/05



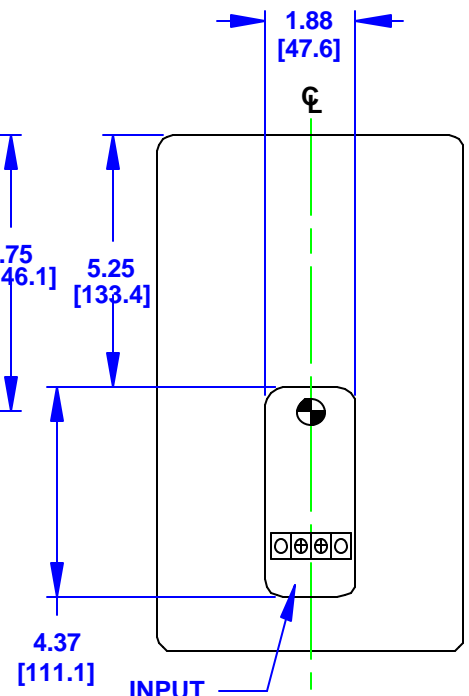
GRILL PARTIALLY SHOWN

**FRONT**



FOR  
OMNI MOUNT  
20.5 SERIES

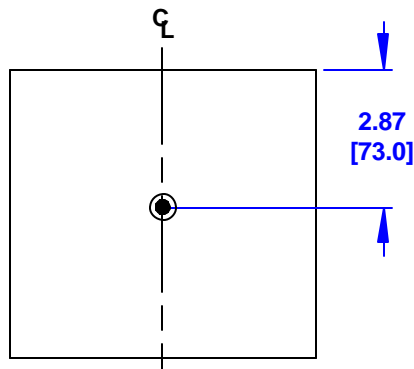
**RIGHT SIDE**



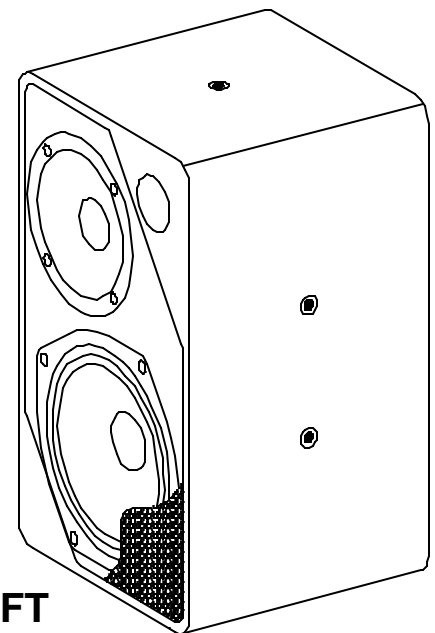
INPUT

**BACK**

DIMENSIONS APPLY TO THIS  
SIDE ONLY

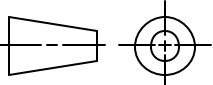



**TOP/BOTTOM**



**UB12Se LEFT**

DOCUMENT CONTROL PER SPECIFICATION 4.5.201

<p>THIRD ANGLE PROJECTION</p> 	<p>UNLESS OTHERWISE SPECIFIED: ALL DIMENSIONS ARE INCHES [MILLIMETERS]</p> <p>TOLERANCES LINEAR ± 0.13 in/ ± 3.3 mm ANGLES ± 1°</p> <p>(X.XX) = REF DIMS NO TOLERANCE IMPLIED</p> <p>TSC=THEORETICAL SHARP CORNER DIMENSIONS ACROSS CENTERLINES TO BE SYMMETRICAL</p>	STATUS: <b>PRODUCTION</b>		 EASTERN ACOUSTIC WORKS ONE MAIN STREET WHITINSVILLE, MA 01588 USA	
		APPROVALS			DATE
		DRAWN:	RAS		1/18/99
		CHECKED:	KFH		2/4/99
		DES ENG:	JR		2/8/99
MFG ENG:	KRV	2/9/99	TITLE: CABINET/FINISHED/BLACK/ UB12Se LEFT [MANUFACTURING SPECIFICATION]		
THIS DRAWING IS THE PROPERTY OF EAW AND SHALL NOT BE COPIED, REPRODUCED, OR USED AS THE BASIS FOR MANUFACTURE OR SALE OF APPARATUS WITHOUT WRITTEN AUTHORIZATION. DO NOT SCALE DRAWING.			A SHEET 1 OF 1 SCALE: 1 TO 4	DRAWING NUMBER: 510750 REVISION: D	