

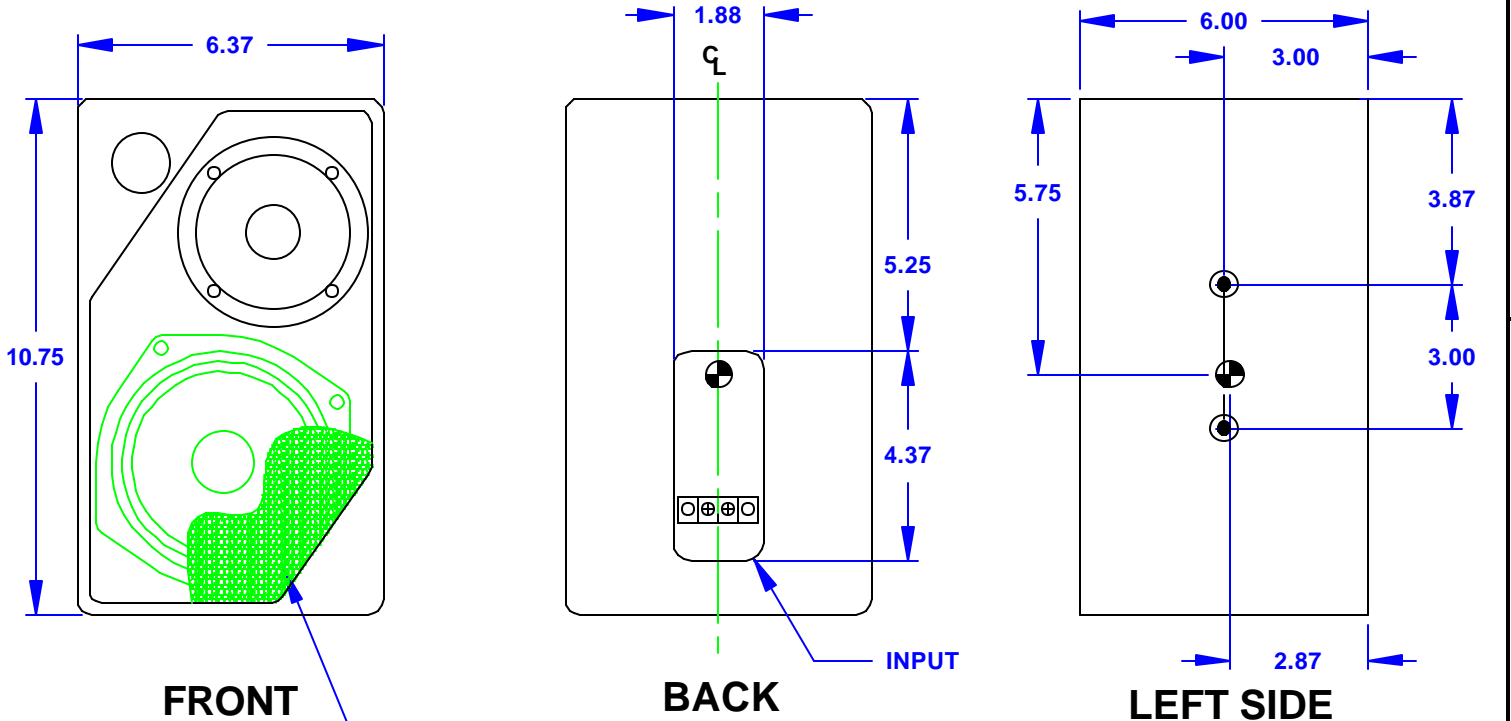


NOTES:

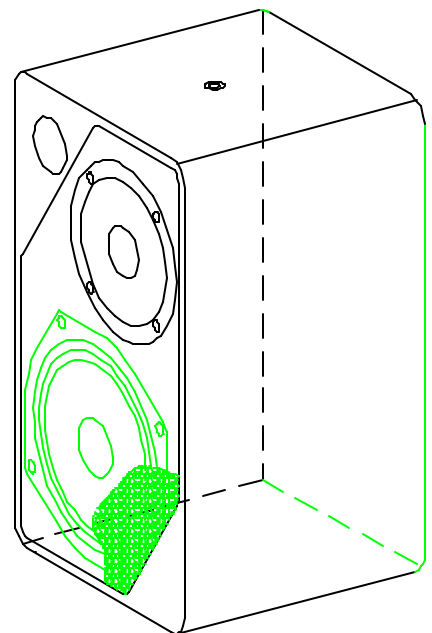
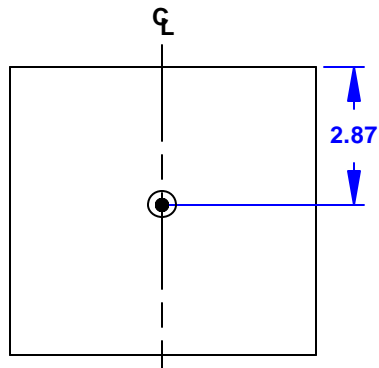
1. SYMBOL  INDICATES MOUNTING POINT, 1/4-20 THREADED HOLE.
2. SYMBOL  INDICATES CENTER OF BALANCE.
3. WEIGHT APPROX. 10 LBS.
4. SHIPPING WEIGHT APPROX. 12 LBS.

REV	DESCRIPTION	APVD/DATE
0	NEW ISSUE PER DSR #99-037 RAS 1/18/99	KFH 2/4/99
A	ORACLE REVISION CONVERSION DRAWING WAS REV 0 PER ECO 5151 SS 8/1/01	ES 1/07/02



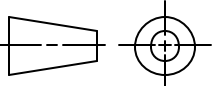
GRILL PARTIALLY SHOWN

DIMENSIONS APPLY TO THIS SIDE ONLY



UB12Se RIGHT

DOCUMENT CONTROL PER SPECIFICATION 4.5.201

<p>THIRD ANGLE PROJECTION</p> 	<p>UNLESS OTHERWISE SPECIFIED: ALL DIMENSIONS ARE IN INCHES</p> <p>TOLERANCE IN INCHES .X ± .1 .XX ± .03 .XXX ± .010 FRACTIONS ± 1/32 ANGLES ± 1/2°</p> <p>(X.XX) = REF DIMS NO TOLERANCE IMPLIED</p> <p>T.S.C.=THEORETICAL SHARP CORNER DIMENSIONS ACROSS CENTERLINES TO BE SYMMETRICAL</p>	<p>STATUS: PRODUCTION</p>		<p>EA EASTERN ACOUSTIC WORKS ONE MAIN STREET WHITINSVILLE, MA 01588 USA</p>
		<p>APPROVALS</p> <p>DRAWN: RAS</p> <p>CHECKED: KFH</p> <p>DES ENG: JR</p> <p>MFG ENG: KRV</p>	<p>DATE</p> <p>1/18/99</p> <p>2/4/99</p> <p>2/8/99</p> <p>2/9/99</p>	
<p>THIS DRAWING IS THE PROPERTY OF EAW AND SHALL NOT BE COPIED, REPRODUCED, OR USED AS THE BASIS FOR MANUFACTURE OR SALE OF APPARATUS WITHOUT WRITTEN AUTHORIZATION. DO NOT SCALE DRAWING.</p>			<p>A SHEET 1 OF 1</p>	<p>SCALE: 1 TO 4</p>
			<p>DRAWING NUMBER: 510751</p>	<p>REVISION: A</p>

