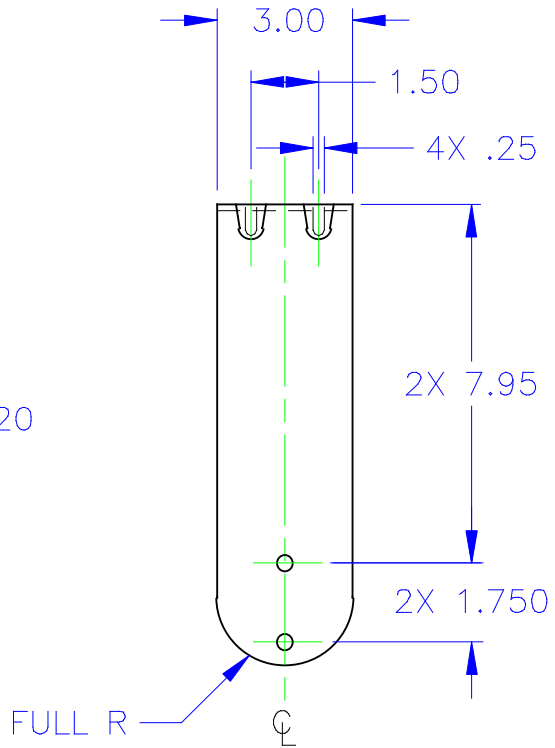
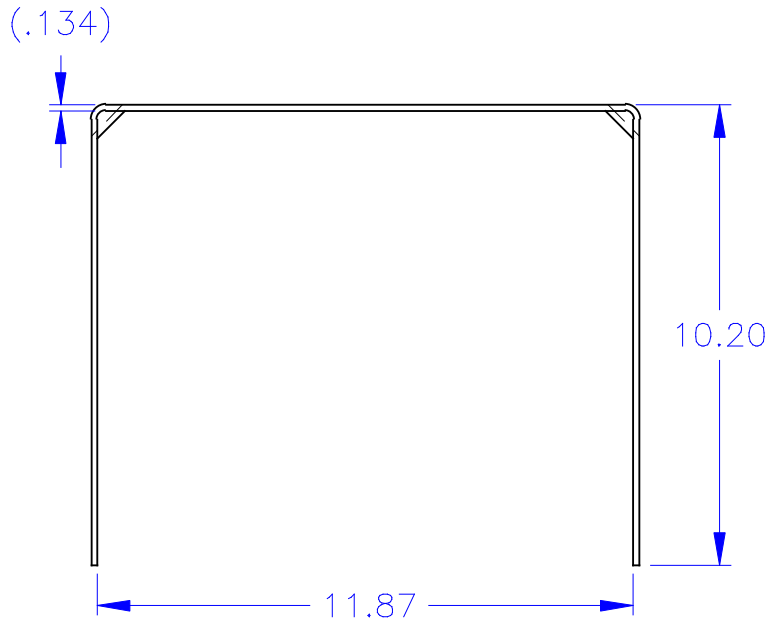
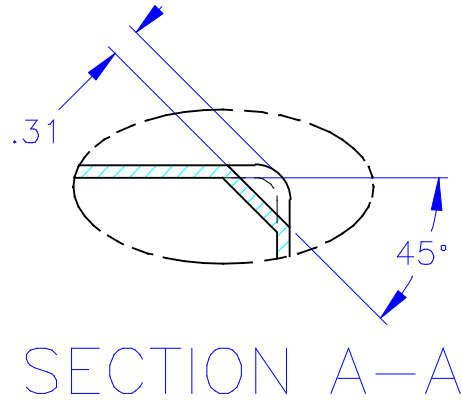
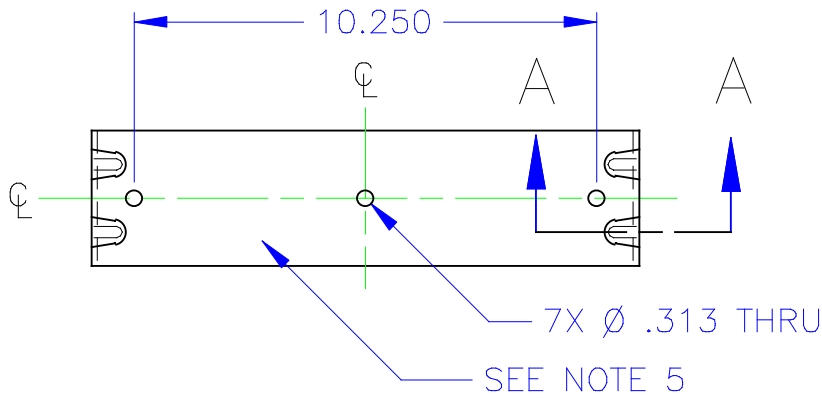


REV	DESCRIPTION	APVD/DATE
0	NEW ISSUE WAS 606002 (1) PER DSR 00-431 MFL 4/3/00	DM 4/26/00
1	CHANGED TITLE ALPHANUMERIC FROM HD22WM PER ECO 5313 JRM 7/23/01	RS 7/25/01

NOTES:

1. MATERIAL: 10 GA (.134) CRS
2. FINISH: BLACK MATTE POWDERCOAT.
3. REMOVE BURRS AND SHARP EDGES.
4. PARTS TO BE CLEANED AND FREE OF GREASE AND DEBRIS.
5. EAW PART NUMBER AND CURRENT REVISION TO BE STAMPED OR PRINTED IN AREA SHOWN WITH INDELIBLE WHITE INK.
6. REFER TO EAW MATERIAL SPECIFICATION 480455 FOR LABELING AND SHIPPING REQUIREMENTS.



DOCUMENT CONTROL PER SPECIFICATION 4.5.201

<p>THIRD ANGLE PROJECTION</p> <p>THIS DRAWING IS THE PROPERTY OF EAW AND SHALL NOT BE COPIED, REPRODUCED, OR USED AS THE BASIS FOR MANUFACTURE OR SALE OF APPARATUS WITHOUT WRITTEN AUTHORIZATION. DO NOT SCALE DRAWING.</p>	<p>UNLESS OTHERWISE SPECIFIED: ALL DIMENSIONS ARE IN INCHES</p> <p>TOLERANCE IN INCHES .X ± .1 .XX ± .03 .XXX ± .010 FRACTIONS ±1/32 ANGLES ±1/2°</p> <p>(X.XX) = REF DIMS NO TOLERANCE IMPLIED</p> <p>T.S.C.=THEORETICAL SHARP CORNER</p> <p>DIMENSIONS ACROSS CENTERLINES TO BE SYMMETRICAL</p>	STATUS: PRODUCTION		<p>EAW EASTERN ACOUSTIC WORKS ONE MAIN STREET WHITINSVILLE, MA 01588 USA</p> <p>TITLE: BRACKET/WALLMOUNT/ HDUB22WM</p>	
		APPROVALS	DATE		<p>A SHEET 1 OF 1</p> <p>SCALE: 1 TO 4</p>
		DRAWN: MFL	4/3/00		
		CHECKED: DM	4/26/00		
		DES ENG: JAR	4/27/00		
MFG ENG: MCB	4/28/00				
		DRAWING NUMBER: 606148	REVISION: 1		