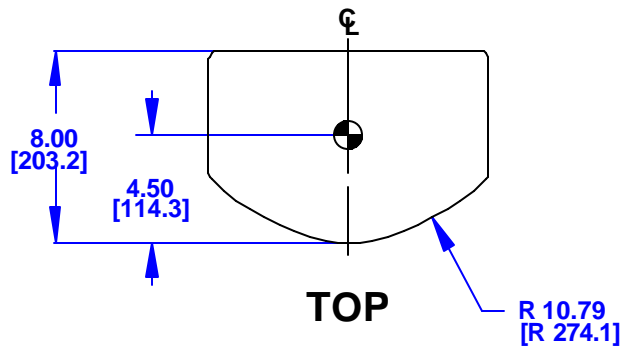
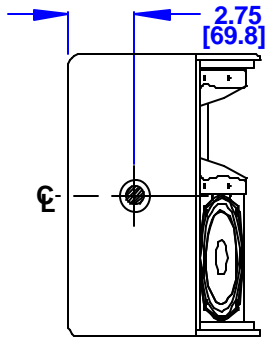


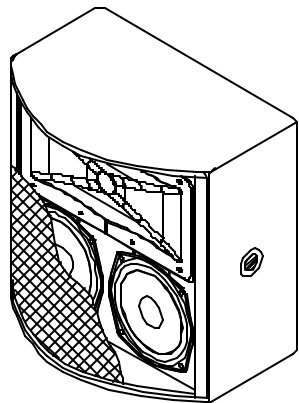
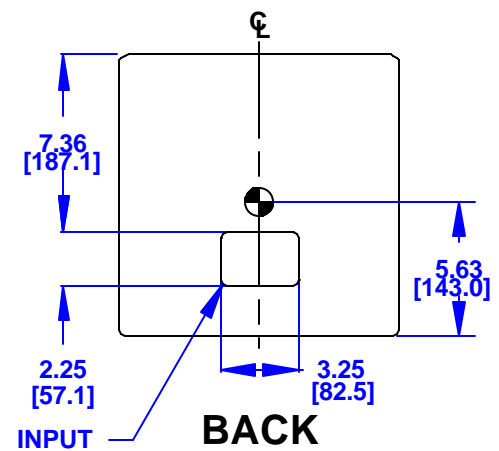
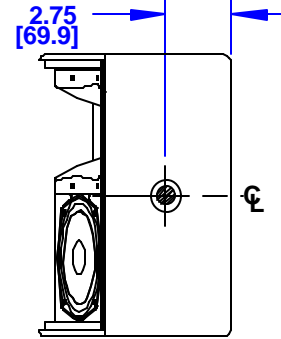
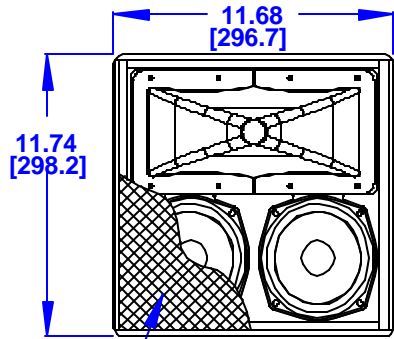
REV	DESCRIPTION	APVD/DATE
B	UPDATED PER ECOWHT 4022 C AUGER 12/5/05	RS 1/11/06



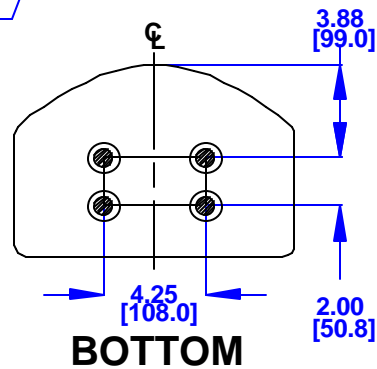
- NOTES:**
1. SYMBOL INDICATES MOUNTING POINT, 1/4-20 THREADED HOLE.
 2. SYMBOL INDICATES CENTER OF BALANCE.
 3. WEIGHT APPROX. 16 lb [7.3 kg].
 4. SHIPPING WEIGHT APPROX. 18 lb [8.2 kg].



GRILLE PARTIALLY SHOWN



UB22z



DOCUMENT CONTROL PER SPECIFICATION 4.5.201

THIRD ANGLE PROJECTION 	UNLESS OTHERWISE SPECIFIED: ALL DIMENSIONS ARE INCHES [MILLIMETERS] TOLERANCES LINEAR ± 0.13 in/ ± 3.3 mm ANGLES $\pm 1^\circ$ (X.XX) = REF DIMS. NO TOLERANCE IMPLIED TSC=THEORETICAL SHARP CORNER DIMENSIONS ACROSS CENTERLINES TO BE SYMMETRICAL	STATUS: PRODUCTION		EASTERN ACOUSTIC WORKS ONE MAIN STREET WHITINSVILLE, MA 01588 USA	
		APPROVALS	DATE		TITLE: CABINET/FINISHED/BLACK/UB22z [MECHANICAL SPECIFICATION]
THIS DRAWING IS THE PROPERTY OF EAW AND SHALL NOT BE COPIED, REPRODUCED, OR USED AS THE BASIS FOR MANUFACTURE OR SALE OF APPARATUS WITH-OUT WRITTEN AUTHORIZATION. DO NOT SCALE DRAWING.	DRAWN: MELANIE	10/19/05	A	SHEET 1 OF 1	SCALE: 1 TO 8
	CHECKED: RAS	10/25/05	DRAWING NUMBER: 0016360		REVISION: B
	DES ENG: TW	10/25/05	MFG ENG: SM		10/25/05