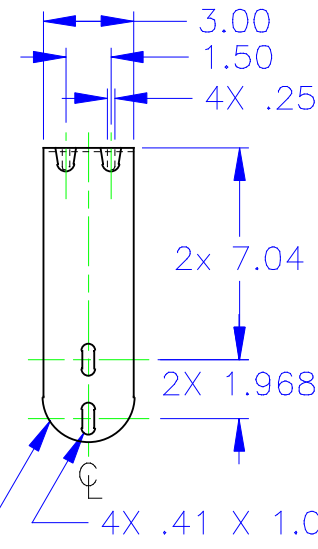
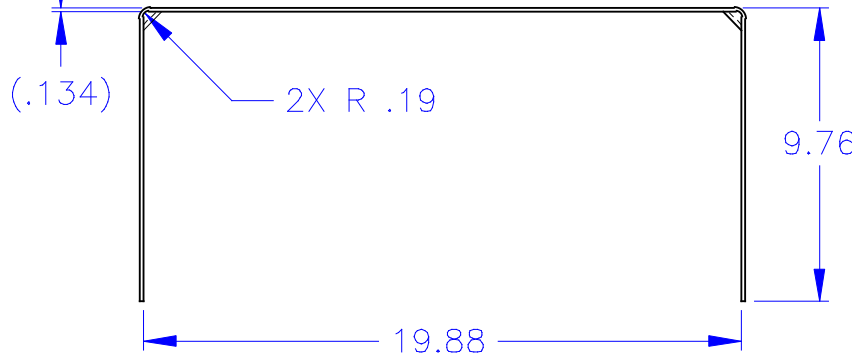
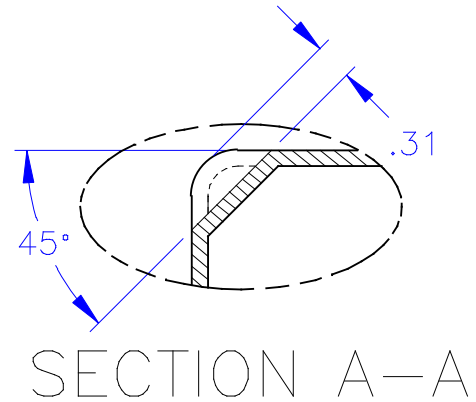
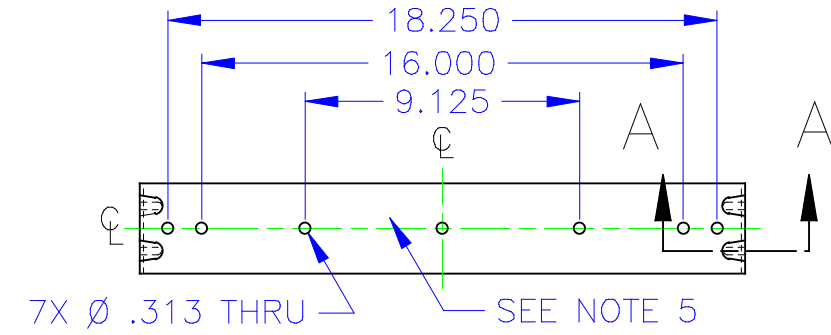


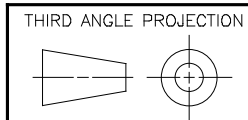
NOTES:

1. MATERIAL: 10 GA (.134) CRS
2. FINISH: BLACK MATTE POWDERCOAT.
3. REMOVE BURRS AND SHARP EDGES.
4. PARTS TO BE CLEANED AND FREE OF GREASE AND DEBRIS.
5. EAW PART NUMBER AND CURRENT REVISION TO BE STAMPED OR PRINTED IN AREA SHOWN WITH INDELIBLE WHITE INK.
6. REFER TO EAW MATERIAL SPECIFICATION 480455 FOR LABELING AND SHIPPING REQUIREMENTS.

REV	DESCRIPTION	APVD/DATE
0	NEW ISSUE WAS 606018 (1) PER DSR 00-431 MFL 4/6/00	DM 4/26/00
1	CHANGED TITLE ALPHANUMERIC FROM UB80 PER ECO 5313 JRM 7/23/01	RS 7/25/01



DOCUMENT CONTROL PER SPECIFICATION 4.5.201



THIS DRAWING IS THE PROPERTY OF EAW AND SHALL NOT BE COPIED, REPRODUCED, OR USED AS THE BASIS FOR MANUFACTURE OR SALE OF APPARATUS WITHOUT WRITTEN AUTHORIZATION. DO NOT SCALE DRAWING.

UNLESS OTHERWISE SPECIFIED: ALL DIMENSIONS ARE IN INCHES  
 TOLERANCE IN INCHES  
 .X ± .1    .XX ± .03    .XXX ± .010  
 FRACTIONS ± 1/32  
 ANGLES ± 1/2°  
 (X.XX) = REF DIMS  
 NO TOLERANCE IMPLIED  
 T.S.C.=THEORETICAL SHARP CORNER  
 DIMENSIONS ACROSS CENTERLINES TO BE SYMMETRICAL

STATUS: <b>PRODUCTION</b>	
APPROVALS	DATE
DRAWN: MFL	4/6/00
CHECKED: DM	4/26/00
DES ENG: JAR	4/27/00
MFG ENG: MCB	4/28/00

**EAW EASTERN ACOUSTIC WORKS**  
 ONE MAIN STREET  
 WHITINSVILLE, MA 01588 USA

TITLE: BRACKET/WALLMOUNT/HDUB80WM

**A** SHEET 1 OF 1 SCALE: 1 TO 6

DRAWING NUMBER: 606153 REVISION: 1