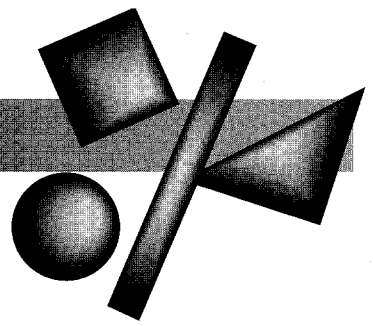


FORSYTHE SERIES

AS300i

VA™ Technology Installation Systems NEW PRODUCT PRELIMINARY DATA



The AS300i is a result of EAW's design work on installations like Anaheim Stadium. It fills the need for a system with the high output and consistent coverage of the KF300 Virtual Array™ enclosure in a cost-effective horizontal configuration that is easy to install. The AS300i achieves these goals by combining the horn loaded mid- and high-frequency subassemblies of the KF300 with a 15 inch low frequency driver—all in a vented enclosure only 17.5 inches high.

The AS300i incorporates all of the features and performance that have made the KF300 an international standard for quality in compact high output professional systems.

True Three-Way Design with a dedicated driver for the critical midband lowers distortion dramatically and provides consistent coverage over the full operating bandwidth.

Coherent Wide Bandwidth Response both on- and off-axis for totally natural music reproduction.

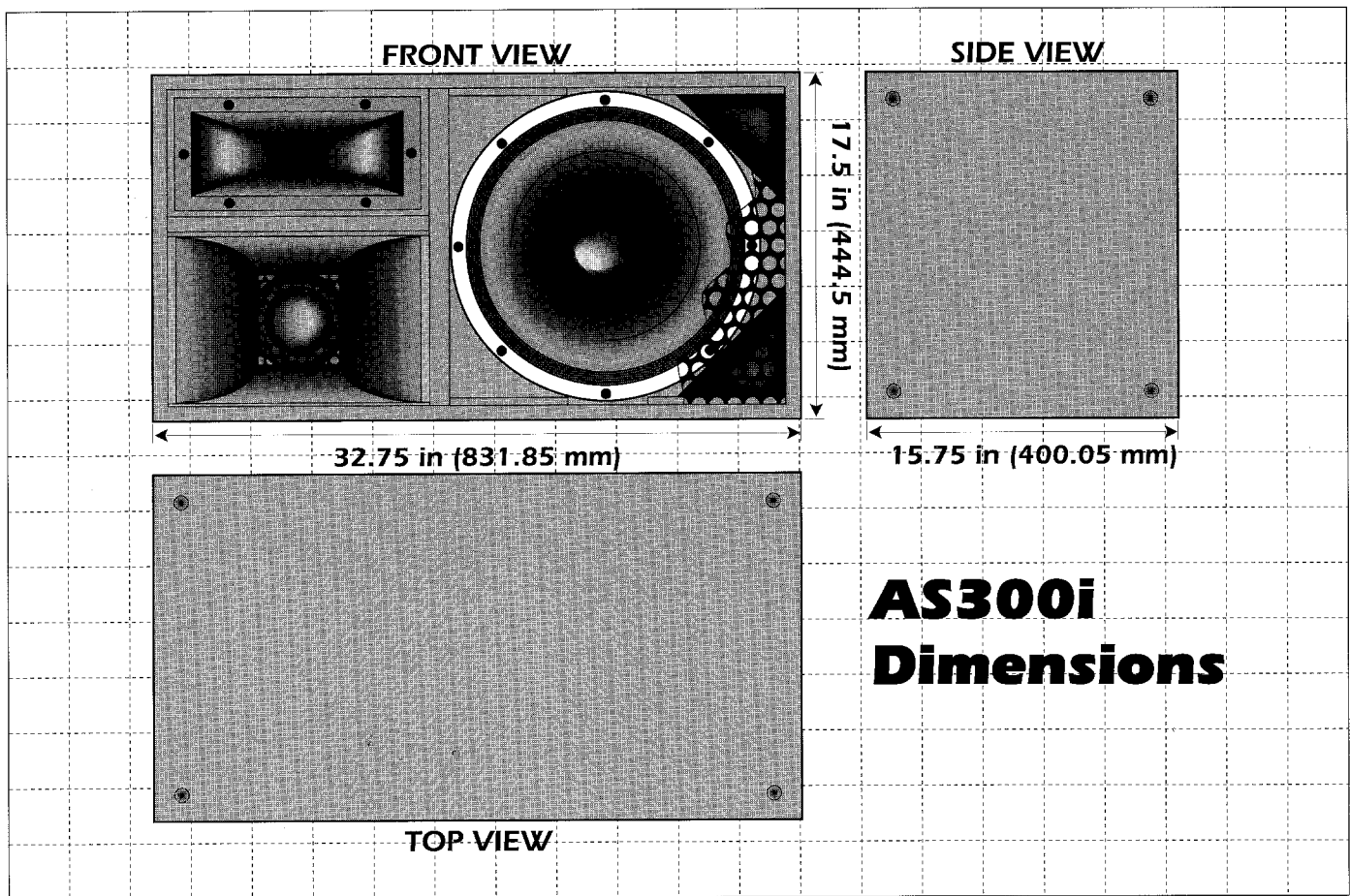
Advanced Transducers including EAW's unique 7 inch carbon fiber midrange cone for high output with lower distortion.

High Output Yet Compact Design is capable of greater than 128 dB SPL at one meter from an enclosure volume of just 5.2 ft.³.

Designed To Simplify Installation

The AS300i comes standard with internally braced tee-nut hanging points on both the top and sides to facilitate installation. For minimum operating expense, the AS300i can operate in full passive mode with a single amplifier channel driving the entire system. Where maximum performance is required, the system can be operated in bi-amp mode utilizing EAW's MX Series Closely Coupled Electronic Processing™ units.





Specifications

AS300i

Description

Compact Wide Bandwidth
Installation System

Frequency Response

+3 dB:	48 to 20k Hz
LF Limit -3dB:	48 Hz
LF Limit -10 dB:	39 Hz

Efficiency / Axial Sensitivity

SPL 1w @ 1m LF:	100 dB SPL
SPL 1w @ 1m MF/HF:	104 dB SPL
1/2 Space Efficiency:	5.6%

Power Handling

LF AES:	600 watts
LF 100 H Sine Wave:	250 watts
MF/HF AES:	200 watts
MF/HF 100 H Sine Wave:	100 watts
Nominal Impedance:	8 ohms

Maximum Output

LF Peak:	128 dB SPL
LF Long Term:	124 dB SPL
MF/HF Peak:	127 dB SPL
MF/HF Long Term:	124 dB SPL
LF 1/2 Space Peak:	33.6 acoustic watts

Nominal Coverage Angles (-6 dB)

Horizontal:	90 degrees
Vertical:	45 degrees

General Information

Low Frequency Subsystem:	1x 15-in Vented
Mid Frequency Subsystem:	7-in Horn Loaded Carbon Fiber Cone
High Frequency Subsystem:	Horn Loaded
Driver Data:	1.75-in diaphragm/1-in exit

Crossover Data

Type:	Third Order Equalized Asymmetrical Network
Mode:	Passive or Biamp (MX200 or MX300 w/sub)

Additional Descriptive Data

Finish:	Black Catalyzed Polyurethane Chemical Coating
Connectors:	4 pin Barrier Strip & Neutrik NL4MP
Grill:	Vinyl Coated Perforated Steel

Dimensions & Weights

Height:	17.5 in (444.5 mm)
Width:	32.75 in (831.85 mm)
Depth:	15.75 in (400.05 mm)
Weight:	124 lbs.



EASTERN ACOUSTIC WORKS, INC.

One Main Street, Whitinsville, MA 01588

(508) 234 - 6158