

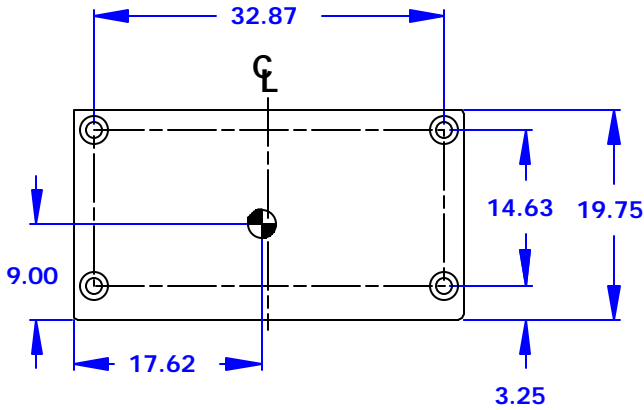


**NOTES:**

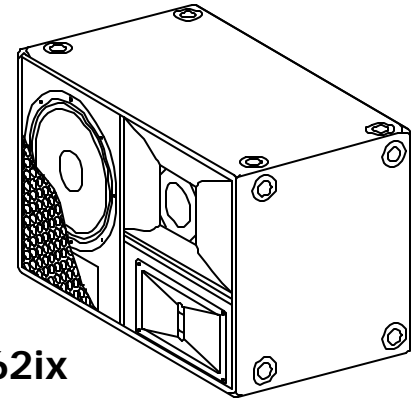
1. SYMBOL  INDICATES MOUNTING POINT, 3/8-16 THREADED HOLE (PI ANGLE).
2. SYMBOL  INDICATES CENTER OF BALANCE.
3. WEIGHT APPROX. 155 LBS.
4. SHIPPING WEIGHT APPROX. 167 LBS.

REV	DESCRIPTION	APVD/DATE
1	CORRECTED ORIENTATION OF CABINET PER ECO 3995 MFL 7/28/99	FEL 8/12/99

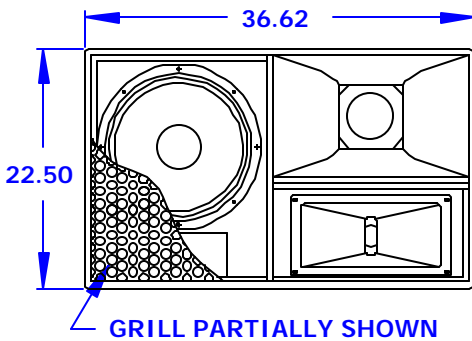


**TOP**

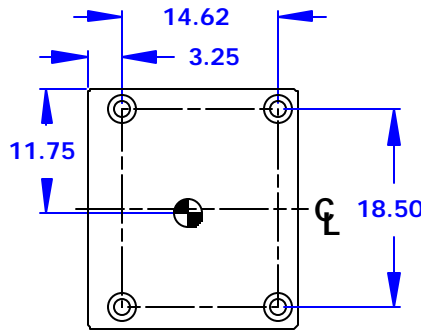
DIMENSIONS APPLY TO TOP AND BOTTOM



**AS562ix**

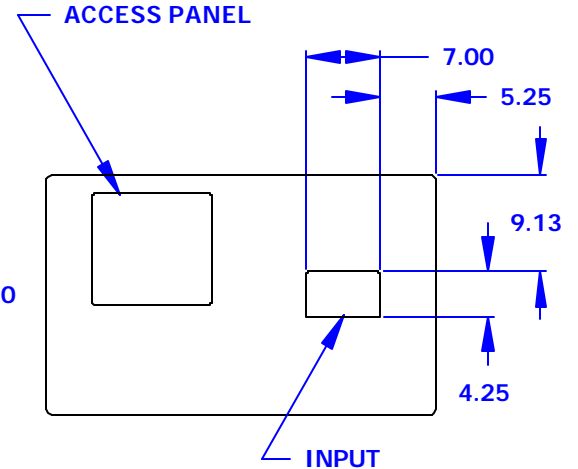


**FRONT**



**RIGHT SIDE**

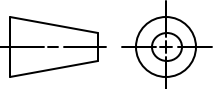
DIMENSIONS APPLY TO BOTH SIDES



**BACK**

DOCUMENT CONTROL PER SPECIFICATION 4.5.201

THIRD ANGLE PROJECTION



UNLESS OTHERWISE SPECIFIED:  
ALL DIMENSIONS ARE IN INCHES

TOLERANCE IN INCHES  
.XX ± .13  
ANGLES ± 1°

(X.XX) = REF DIMS  
NO TOLERANCE IMPLIED

T.S.C.=THEORETICAL SHARP CORNER

DIMENSIONS ACROSS CENTERLINES  
TO BE SYMMETRICAL

STATUS: **PRODUCTION**

APPROVALS DATE

DRAWN: JRM 2/18/97

CHECKED: JWB 2/25/97

DES ENG: JR 3/6/97

MFG ENG: JS 3/9/97



EASTERN ACOUSTIC WORKS  
ONE MAIN STREET  
WHITINSVILLE, MA 01588 USA

TITLE: CABINET/FINISHED/BLACK/  
AS562ix  
[MECHANICAL SPECIFICATION]

**A** SHEET 1 OF 1 SCALE: 1 TO 18

DRAWING NUMBER: 510216 REVISION: 1

THIS DRAWING IS THE PROPERTY OF EAW AND SHALL NOT BE COPIED, REPRODUCED, OR USED AS THE BASIS FOR MANUFACTURE OR SALE OF APPARATUS WITHOUT WRITTEN AUTHORIZATION. DO NOT SCALE DRAWING.