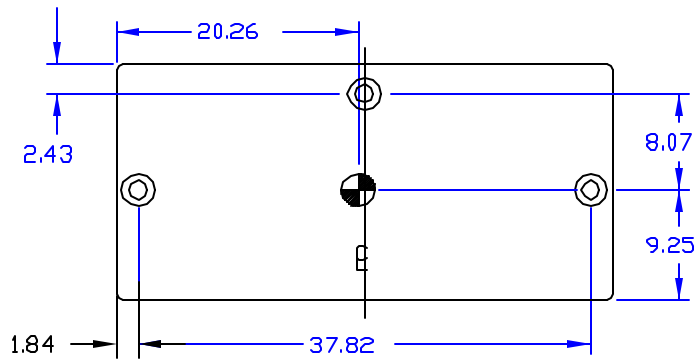


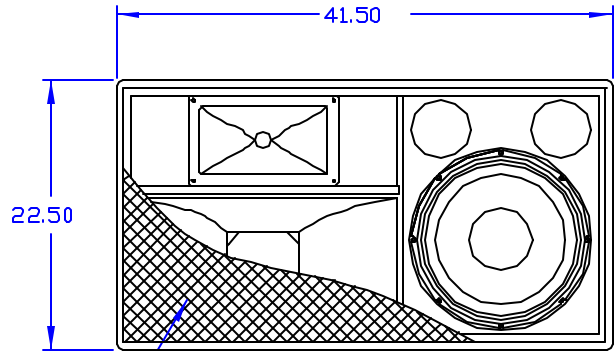


REV	DESCRIPTION	APVD/DATE
3	REVISED PER ECO 4522 MFL 3/28/00	RS 3/28/00

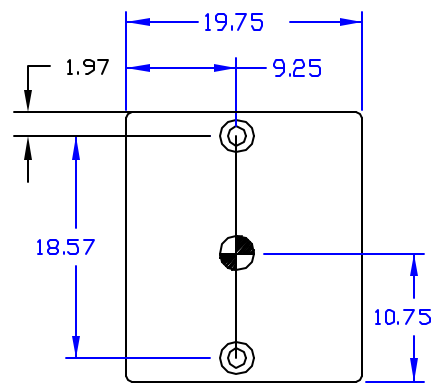


TOP/BOTTOM
DIMENSIONS APPLY TO TOP AND BOTTOM

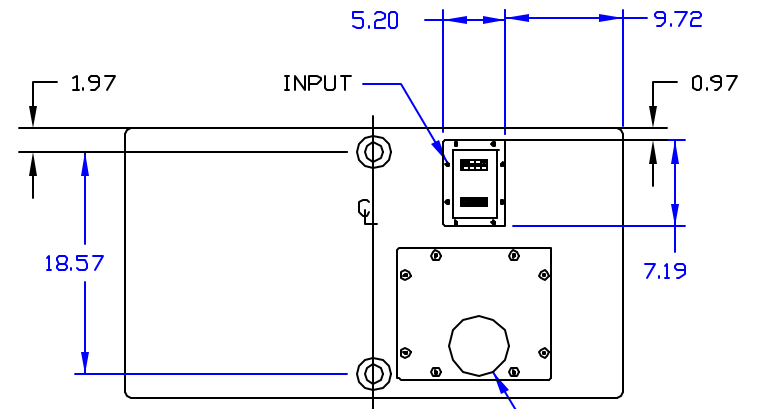
- NOTES:
 1. SYMBOL  INDICATES MOUNTING POINT, 3/8-16 THREADED HOLE (PI ANGLE).
 2. SYMBOL  INDICATES CENTER OF BALANCE.
 3. WEIGHT APPROX. 152 LBS
 4. SHIPPING WEIGHT APPROX. 170 LBS.



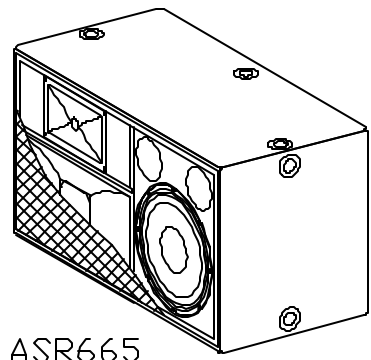
FRONT
GRILLE PARTIALLY SHOWN



SIDE
DIMENSIONS APPLY TO BOTH SIDES

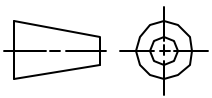



BACK



ASR665

DOCUMENT CONTROL PER SPECIFICATION 4.5.201

THIRD ANGLE PROJECTION 	UNLESS OTHERWISE SPECIFIED, ALL DIMENSIONS ARE IN INCHES TOLERANCE IN INCHES .XX ± .13 ANGLES ±1° (X.XX) = REF DIMS NO TOLERANCE IMPLIED T.S.C.=THEORETICAL SHARP CORNER DIMENSIONS ACROSS CENTERLINES TO BE SYMMETRICAL	STATUS: PRODUCTION		 EASTERN ACOUSTIC WORKS ONE MAIN STREET WHITINSVILLE, VA 01588 USA	
		APPROVALS	DATE		TITLE: CABINET/FINISHED/BLACK ASR665 [MECHANICAL SPECIFICATION]
THIS DRAWING IS THE PROPERTY OF EAW AND SHALL NOT BE COPIED, REPRODUCED, OR USED AS THE BASIS FOR MANUFACTURE OR SALE OF APPARATUS WITHOUT WRITTEN AUTHORIZATION. DO NOT SCALE DRAWING.		DRAWN: JAH	02/11/98	SHEET 1 OF 1	SCALE: 1 TO 16
		CHECKED: FEL	2/27/98		
		DES ENG: ZC	2/27/98	DRAWING NUMBER: 510626	REVISION: 3
		MFG ENG: KRV	2/27/98		