



TECHNICAL SPECIFICATIONS BH862

DESCRIPTION

A dedicated Virtual Array low frequency module. Includes 2x horn-loaded 15-in woofers in a trapezoidal enclosure.

APPLICATIONS

The BH862 uses LF horn loading for increased output and extended pattern control. It is the same height as the MH662 mid/high Virtual Array module letting the two work together in large format arrays. Six year warranty.

Applications include:

- Stadium
- Arenas
- Concert Halls
- Large HOW's
- Dance Clubs

DESCRIPTIVE DATA

Part Number	999091
Product Group	M
Components & Loading	2x 15-in Horn Loaded Cone
System Configuration	Dedicated LF Horn
Recommended High-Pass Frequency (24 dB/Octave)	65Hz
Cabinet Type (shape)	Trapezoidal
Enclosure Materials	Baltic Birch Plywood
Finish	Black Catalyzed Polyurethane
Connectors	4-Terminal Barrier Strip and 1x Neutrik NL4 Speakon
Suspension Hardware	(18) 3/8"-16 Threaded Mounting/ Suspension Points (5 on bottom, 4 each top and sides, 1 back)
Grill	Vinyl Coated Perforated Steel



NOMINAL DATA

Frequency Response (Hz)	±3 db	90Hz to 300Hz
	-10 dB	65Hz
Axial Sensitivity (dB SPL/1 Watt/1m)	105	
Impedance (Ohms)	4	
Power Handling (Watts)	AES Standard	2000
	Calculated Maximum Output (dB SPL, @1m)	
	Peak	144
	Long Term	138
Nominal Coverage Angle / -6 dB points (degrees)	Horizontal	150
	Vertical	150
	Dimensions	
	inches	millimeters
	Height	48.63 1235
	Width	26.38 670
	Width (Front)	26.38 670
	Width (Rear)	16.5 419
	Depth	29.5 749
Weights	pounds	kilograms
	Net Weight	212 95
	Shipping Weight	226 101

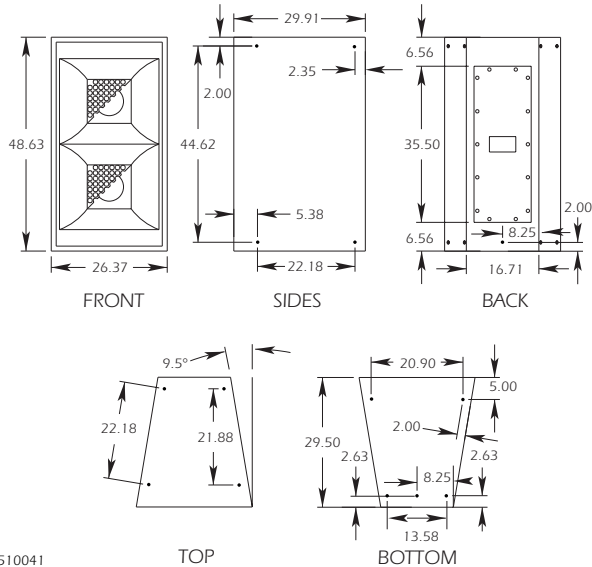




TECHNICAL SPECIFICATIONS BH862

DIMENSIONAL DRAWING

BH862 • MOUNTING POINTS 3/8"-16 NUTS WELDED TO A 2" x 2" STEEL L-PLATE



510041
EXP 4/23/96 SHB

SERVICE ITEMS

LF: Complete Cone Driver

EAW Part No. 804036

Filter/Crossover Network: Complete Assembly

EAW Part No. 201359

ARCHITECTURAL SPECIFICATIONS

The low frequency loudspeaker systems shall incorporate 2x 15-in LF transducers.

The LF drivers shall be mounted in a low frequency horn constructed of 3mm birch plywood reinforced with high density polyurethane foam for optimum low frequency response. The system shall have a nominal coverage pattern of 150° (h) x 150° (v).

System frequency response shall vary no more than ± 3 dB 90 Hz to 300 Hz measured on axis. The loudspeaker shall produce a Sound Pressure Level (SPL) of 105 dB SPL on axis at 1 meter with a power input of 1 Watt, and shall be capable of producing a peak output of 144 SPL on axis at 1 meter. The loudspeaker shall handle 2000 Watts of amplifier power (AES Standard) and shall have a nominal impedance of 4 Ohms.

The loudspeaker enclosure shall be trapezoidal in shape. It shall be constructed of 15mm thickness void-free cross-grain-laminated Baltic birch plywood and shall employ extensive internal bracing. It shall be finished in black catalyzed polyurethane. Input connectors shall be a 4-terminal barrier strip plus one Neutrik NL4 Speakon. A total of eighteen 3/8"-16 threaded mounting/suspension points (5 on bottom, 4 each top and sides, 1 back) shall be provided. The front of the loudspeaker shall be covered with a vinyl coated perforated steel grill.

The low frequency loudspeaker shall be the EAW model BH862.