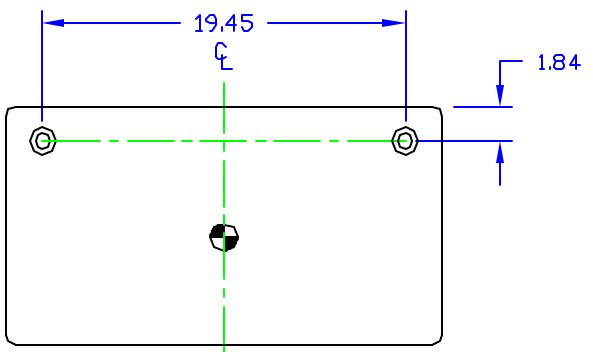
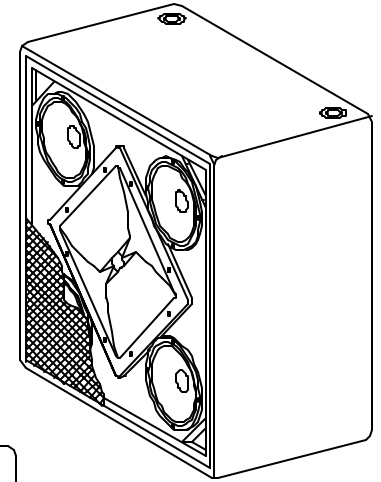


REV	DESCRIPTION	APVD/DATE
1	NEW ISSUE PER DSR #02-308 DM 4/3/02	KFH 4/11/02

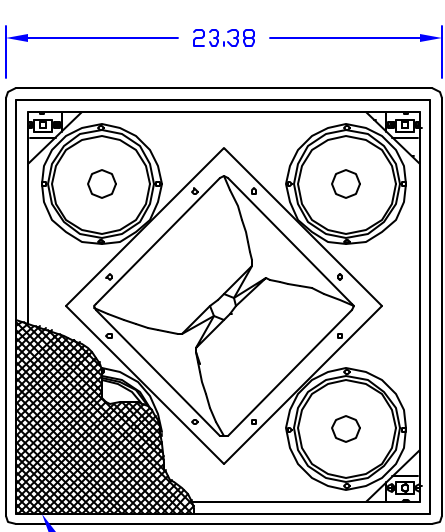


TOP/BOTTOM
DIMENSIONS APPLY
TO TOP AND BOTTOM

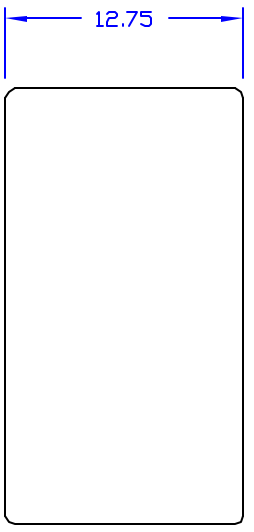
- NOTES:
 1. SYMBOL INDICATES MOUNTING POINT,
 3/8-16 THREADED HOLE (PI ANGLE)
 2. SYMBOL INDICATES CENTER OF BALANCE
 3. WEIGHT APPROX. 66 LBS
 4. SHIPPING WEIGHT APPROX. 72 LBS.



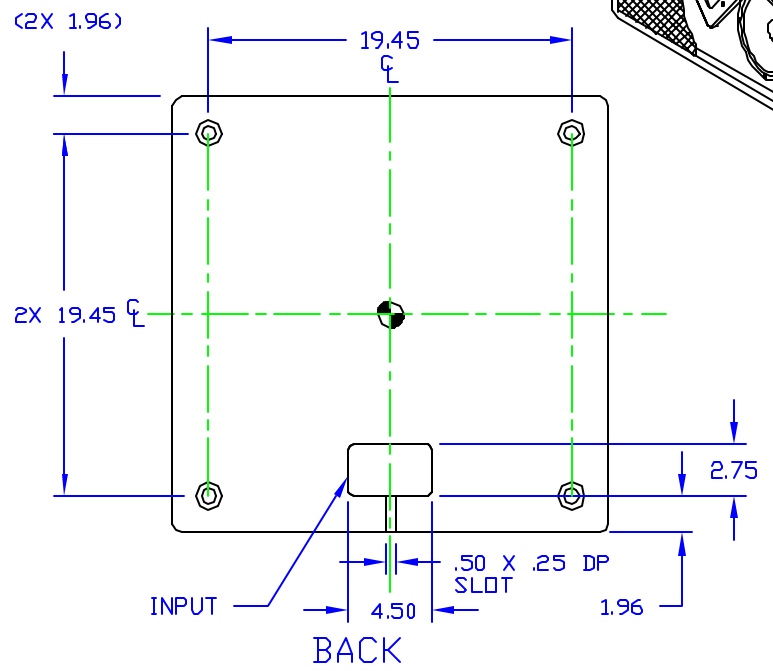
CP499



GRILLE PARTIALLY SHOWN
FRONT



SIDES



INPUT

BACK

DOCUMENT CONTROL PER SPECIFICATION 4.5.201

THIRD ANGLE PROJECTION

THIS DRAWING IS THE PROPERTY OF EAW AND SHALL NOT BE COPIED, REPRODUCED, OR USED AS THE BASIS FOR MANUFACTURE OR SALE OF APPARATUS WITHOUT WRITTEN AUTHORIZATION. DO NOT SCALE DRAWING.

UNLESS OTHERWISE SPECIFIED, ALL DIMENSIONS ARE IN INCHES
 TOLERANCE IN INCHES
 .XX ± .13
 ANGLES ±1°

(XXX) = REF DIMS
 NO TOLERANCE IMPLIED

T.S.C.=THEORETICAL SHARP CORNER
 DIMENSIONS ACROSS CENTERLINES TO BE SYMMETRICAL

STATUS: PROTOTYPE	
APPROVALS	DATE
DRAWN: DM	4/3/02
CHECKED:	
DES ENG:	
MFG ENG:	

EAW EASTERN ACOUSTIC WORKS
 ONE MAIN STREET
 WHEATONVILLE, MA 01586 USA

TITLE: CABINET/FINISHED/BLACK/CP499
 [MECHANICAL SPECIFICATION]

A SHEET 1 OF 1 SCALE: 1 TO 10

DRAWING NUMBER: 0001965 REVISION: 1