



TECHNICAL SPECIFICATIONS DS122e

DESCRIPTION

A 2-way full range passive system in a vented slant-baffle enclosure. Includes a 12-in woofer and a 1-in exit compression driver on a 90 x 45 constant directivity horn. The woodframed cloth grill is attached with threaded fasteners.

APPLICATIONS

The DS122e is engineered for exceptional performance in the nearfield from overhead mounting positions. A very effective tools in permanently installed distributed systems. Comprehensive 3/8"-16 mounting/suspension points let it be aimed in the horizontal and vertical planes. Six Year Warranty.

Applications include:

- MultiMedia
- Chapel
- Dance Club
- Live Music Club
- Auditoriums
- Restaurant

DESCRIPTIVE DATA

Part Number	999033
Product Group	I
LF Subsystem & Loading	1x 12-in Vented
HF Subsystem & Loading	1x 1-in Exit Compression Driver on Constant Directivity Horn
System Configuration	2-way, Full Range, Overhead Mount
Powering Configuration(s)	Passive LF/HF Crossover
Recommended High-Pass Frequency (24 dB/Octave)	45Hz
Cabinet Type (shape)	Rectangular with 20° Slanted Baffled
Enclosure Materials	Baltic Birch Plywood
Finish	Black Catalyzed Polyurethane
Connectors	2-Terminal Barrier Strip / 2x Neurtik NL4 Speakon
Suspension Hardware	(12) 3/8"-16 Threaded Mounting/ Suspension Points (6 top, 2 per side, 1 each bottom and back)
Grill	Black Cloth on MDF Frame



NOMINAL DATA

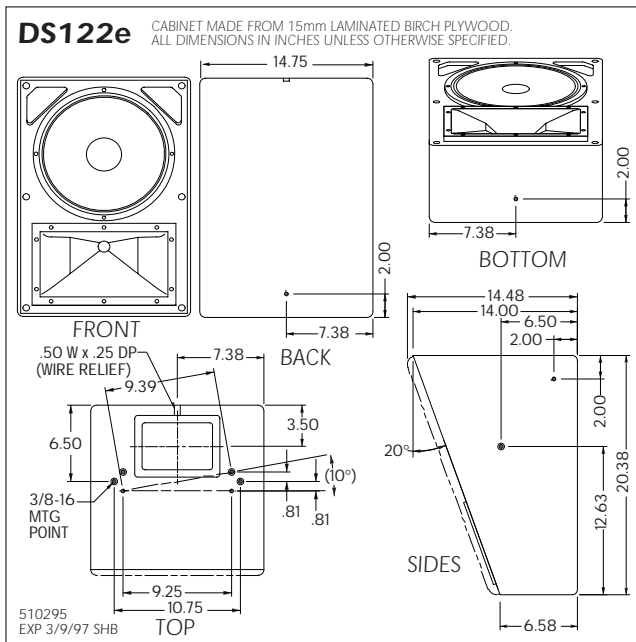
Frequency Response (Hz)	±3 db	79Hz to 15kHz	
	-10 dB	49Hz	
Axial Sensitivity (dB SPL/1 Watt/1m)	98		
	Impedance (Ohms)		
8			
Power Handling (Watts)	AES Standard 500		
	Calculated Maximum Output (dB SPL, @ 1m)		
Peak 131.0			
Long Term 125.0			
Nominal Coverage Angle / -6 dB points (degrees)			
Horizontal 90			
Vertical 45			
Recommended Complementary Systems			
Sub SB150/SB250			
Dimensions	inches	millimeters	
	Height	20.38	518
	Width	14.75	375
	Top Depth	14.5	368
	Bottom Depth	7.08	180
Baffle Angle	20 degrees		
Weights	pounds	kilograms	
	Net Weight	55	25.0
	Shipping Weight	62	28.2





TECHNICAL SPECIFICATIONS DS122e

DIMENSIONAL DRAWING



SERVICE ITEMS

LF: Complete Cone Driver	EAW Part No. 804051
HF: Complete Compression Driver/Tweeter	EAW Part No. 803020
LF: Recone Assembly	EAW Part No. 460048
HF: Diaphragm Assembly	EAW Part No. 806048
Filter/Crossover Network: Complete Assembly	EAW Part No. 225098

ARCHITECTURAL SPECIFICATIONS

The 2-way full range loudspeaker systems shall incorporate a 12-in LF transducer and a 1-in exit compression driver HF transducer.

The LF driver shall be mounted in a vented enclosure tuned for optimum low frequency response. The HF driver shall be loaded on a constant directivity horn with a nominal coverage pattern of 90° (h) x 45° (v). An internal passive filter network shall provide fourth order acoustical crossover and system equalization.

System frequency response shall vary no more than ± 3 dB from 79 Hz to 15 kHz measured on axis. The loudspeaker shall produce a Sound Pressure Level (SPL) of 98 dB SPL on axis at 1 meter with a power input of 1 Watt, and shall be capable of producing a peak output of 131 SPL on axis at 1 meter. The loudspeaker shall handle 500 Watts of amplifier power (AES Standard) and shall have a nominal impedance of 8 Ohms.

The loudspeaker enclosure's front baffle shall be angled 20° to facilitate overhead mounting. It shall be constructed of 15mm thickness void-free cross-grain-laminated Baltic birch plywood. The loudspeaker enclosure shall employ extensive internal bracing. It shall be finished in black catalyzed polyurethane. Input connectors shall include both a 2-terminal barrier strip and dual Neutrik NL4 Speakon connectors. A total of twelve 3/8"-16 threaded mounting/suspension points shall be provided (six on the top, two on each side and one each bottom and back). The front of the loudspeaker shall be covered with a wood-framed cloth grill secured with threaded fasteners.

The 2-way fullrange loudspeaker shall be the EAW model DS122e.