



TECHNICAL SPECIFICATIONS DS153e

DESCRIPTION

A 3-way passive full range system in a vented slant-baffle enclosure. Includes a 15-in woofer, a 7-in midrange cone and a 1-in exit compression driver on a Wave Guide Plate™. The woodframed cloth grill is attached with threaded fasteners.

APPLICATIONS

The DS153e is engineered for exceptional performance in the nearfield from overhead mounting positions. True 3-way design dramatically improves the quality of vocal reproduction. A very effective tool in permanently installed distributed systems. Comprehensive 3/8"-16 mounting/suspension points let it be aimed in the horizontal and vertical planes. Six Year Warranty.

Applications include:

- MultiMedia
- Chapel
- Dance Club
- Live Music Club
- Restaurant

DESCRIPTIVE DATA

Part Number	999035
Product Group	I
LF Subsystem & Loading	1x 15-in, Vented
MF Subsystem & Loading	1x 7-in Cone in Sealed Subenclosure
HF Subsystem & Loading	1x 1-in Exit Compression Driver on Wave Guide Plate™
System Configuration	3-way, Full Range, Overhead Mount
Powering Configuration(s)	Passive LF/MF/HF Crossover
Recommended High-Pass Frequency (24 dB/Octave)	35Hz
Cabinet Type (shape)	Rectangular with 20° down angled baffle
Enclosure Materials	Baltic Birch Plywood
Finish	Black catalyzed polyurethane
Connectors	2-Terminal Barrier Strip plus 2x Neutrik NL4 Speakon
Suspension Hardware	(12) 3/8"-16 threaded mounting/suspension points (6 on top, 2 per side, 1 each bottom and back)
Grill	Black Cloth on MDF frame



NOMINAL DATA

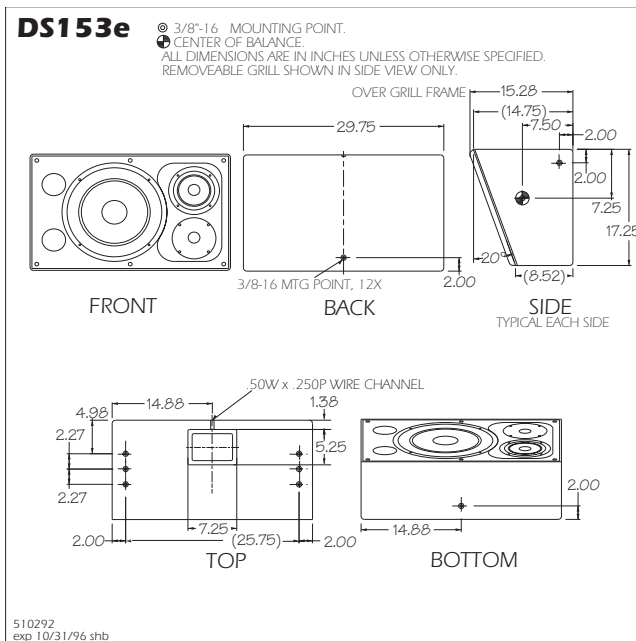
Frequency Response (Hz)	±3 dB	48Hz to 18kHz	
	-10 dB	35Hz	
Axial Sensitivity (dB SPL/1 Watt/1m)	98		
Impedance (Ohms)	8		
Power Handling (Watts)	AES Standard 375		
	Calculated Maximum Output (dB SPL, @ 1m)		
	Peak	129.7	
	Long Term	123.7	
Nominal Coverage Angle / -6 dB points (degrees)	Conical 100		
	Dimensions	inches	millimeters
	Height	17.25	438
	Width	29.75	756
	Depth	15.28	388
	Depth (Top)	14.75	375
	Depth (Bottom)	8.52	216
	Baffle Angle	20 degrees	
Weights	pounds	kilograms	
	Net Weight	74	33.3
	Shipping Weight	80	36





TECHNICAL SPECIFICATIONS DS153e

DIMENSIONAL DRAWING



SERVICE ITEMS

LF: Complete Cone Driver	EAW Part No. 804071
MF: Complete Cone Driver	EAW Part No. 804004
HF: Complete Compression Driver/Tweeter	EAW Part No. 803002
Filter/Crossover Network: Complete Assembly	EAW Part No. 225144

ARCHITECTURAL SPECIFICATIONS

The three-way full range loudspeaker systems shall incorporate a 15-in LF transducer, a 7-in poly-laminated cone MF transducer and 1-in exit compression driver HF transducer.

The LF driver shall be mounted in a vented enclosure tuned for optimum low frequency response. The MF driver shall be mounted in a sealed subenclosure. The HF driver shall be loaded on an axis-symmetrical wave guide plate with a nominal coverage pattern of 100° (conical). An internal passive filter network shall provide fourth order acoustical crossover and system equalization.

System frequency response shall vary no more than ± 3 dB from 48 Hz to 18 kHz measured on axis. The loudspeaker shall produce a Sound Pressure Level (SPL) of 98 dB SPL on axis at 1 meter with a power input of 1 Watt, and shall be capable of producing a peak output of 129.7 SPL on axis at 1 meter. The loudspeaker shall handle 375 Watts of amplifier power (AES Standard) and shall have a nominal impedance of 8 Ohms.

The loudspeaker enclosure shall be rectangular in shape. The loudspeaker enclosure's front baffle shall be slanted 20° to facilitate overhead mounting. It shall be constructed of 15mm thickness void-free cross-grain-laminated Baltic birch plywood and shall employ extensive internal bracing. It shall be finished in black catalyzed polyurethane. Input connectors shall be a two-terminal barrier strip plus dual Neutrik NL4 Speakon. A total of twelve 3/8"-16 threaded mounting/suspension points (6 on top, 2 per side, 1 each bottom and back) shall be provided. The front of the loudspeaker shall be covered with a wood framed cloth grill.

The three-way full range loudspeaker shall be the EAW model FR153e.