



SPECIFICATIONS MK2199e

FEATURES

- Compact, passive 2-way system
- 12-in LF; 1.4-in exit/1.75-in HF on a 90° x 90° horn
- Beamwidth matching crossover smoothes power response
- Flexible solution across the spectrum of permanent installations

DESCRIPTION

A 2-way full-range system with a passive LF/HF crossover in a vented trapezoidal enclosure. Includes a 12-in woofer and a 1.4-in exit/1.75-in diaphragm compression driver on a 90° x 90° constant directivity horn. The versatile compact enclosure features a comprehensive system of 3/8"-16 threaded mounting/suspension points as well as points for an Omnimount Series 300 or similar bracket.

APPLICATION

The MK2199e is designed to provide maximum flexibility across the spectrum of permanent installation applications and is equally effective in clusters or in distributed designs. Its large-format HF horn maintains directivity throughout its passband. The crossover point is selected to match the horn's directivity to that of the woofer, creating a seamless, consistent beamwidth to ensure even coverage throughout the listening area. Six year warranty.

Application Usage:

Houses of Worship	Arenas
Nightclubs	Stadiums
Theaters/Performing Arts Centers	

PERFORMANCE

Frequency Response (1 Watt @ 1 m)	
±3 dB	70 Hz - 18 kHz
-10 dB	60 Hz
Axial Sensitivity (dB SPL, 1 Watt @ 1 m)	
	97
Impedance (ohms)	
	8
Power Handling, AES Standard (Watts)	
Full Range	400
Calculated Maximum Output (dB SPL @ 1 m)	
Peak	129.0
Long Term	123.0
Nominal Coverage Angle, -6 dB Points (degrees)	
Horizontal	90
Vertical	90
Recommended High-Pass Frequency	
24 dB/octave	60 Hz



PHYSICAL

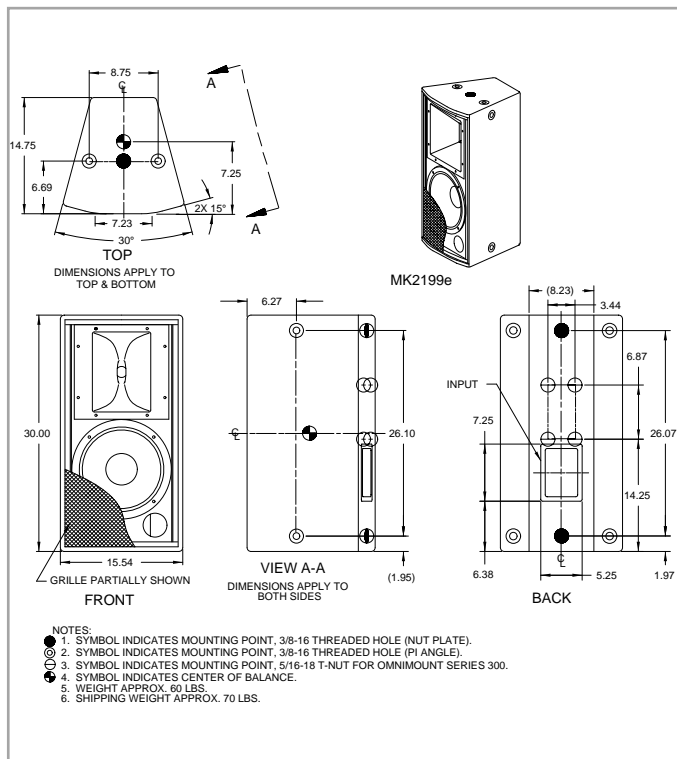
Part Number	0002656	
Group	I	
LF Subsystem	1x 12-in, vented	
HF Subsystem	1x 1.4-in exit/1.75-in diaphragm compression driver on a constant directivity horn	
Configuration	2-way, full-range	
Powering	Passive LF/HF crossover	
Enclosure Material	Exterior grade Baltic birch plywood	
Finish	Wear-resistant textured black paint	
Connectors	2-terminal barrier strip	
Mounting Hardware	12x 3/8"-16 threaded mounting points; 4x points for Omnimount Series 300 or similar bracket	
Grille	Powder coated perforated steel	
Dimensions	inches	millimeters
Height	30.0	762
Width (front)	15.5	394
Width (rear)	8.2	209
Depth	14.8	376
Trapezoid Angle	15 degrees per side	
Weights	pounds	kilograms
Net Weight	55	25.0
Shipping Weight	67	30.5





SPECIFICATIONS MK2199e

DIMENSIONAL DRAWING



Manufacturing tolerances are +/- 0.13 and +/- 1°

A & E SPECIFICATIONS

The 2-way full-range loudspeaker shall incorporate a 12-in LF transducer and a 1.4-in exit/1.75-in diaphragm HF compression driver.

The LF transducer shall be mounted in a vented enclosure tuned for optimum low frequency response. The HF driver shall be loaded on a constant directivity horn with a nominal beamwidth of 90° (h) x 90° (v). An internal passive filter network shall provide acoustical crossover and system equalization.

System frequency response shall vary no more than ±3 dB from 70 Hz to 18 kHz measured on axis. The loudspeaker shall produce a sound pressure level (SPL) of 97 dB SPL on axis at 1 meter with a power input of 1 watt, and shall be capable of producing a peak output of 129 dB SPL on axis at 1 meter. It shall handle 400 watts of amplifier power (AES Standard) and shall have a nominal impedance of 8 ohms.

The loudspeaker enclosure shall be trapezoidal in shape. It shall be constructed of exterior grade Baltic birch plywood and employ extensive internal bracing. It shall be finished in wear-resistant textured black paint. Input connectors shall be a 2-terminal barrier strip. A total of twelve 3/8"-16 threaded mounting points shall be provided. Four additional mounting points for use with an Omnimount Series 300 or similar bracket shall also be provided. The front of the loudspeaker shall be covered with a powder coated perforated steel grille.

The 2-way full-range loudspeaker shall be the EAW model MK2199e.

