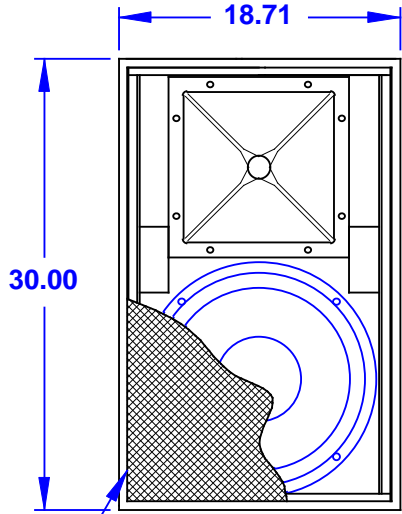


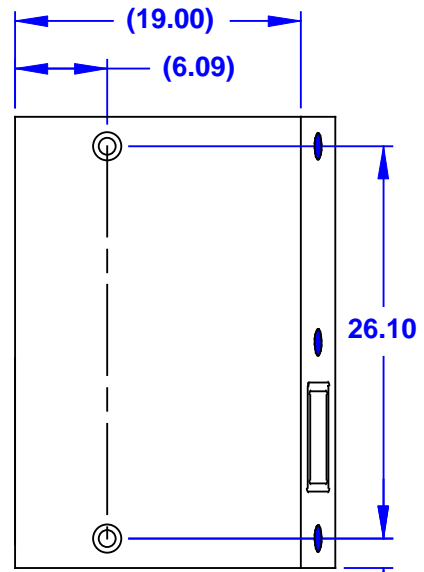
REV	DESCRIPTION	APVD/DATE
A	NEW ISSUE PER DSR #00-1462 DM 2/22/01	KFH 2/23/01

NOTES:
 1. SYMBOL ● INDICATES MOUNTING POINT, 3/8-16 THREADED HOLE (NUT PLATE).
 2. SYMBOL ⊙ INDICATES MOUNTING POINT, 3/8-16 THREADED HOLE (PI ANGLE).

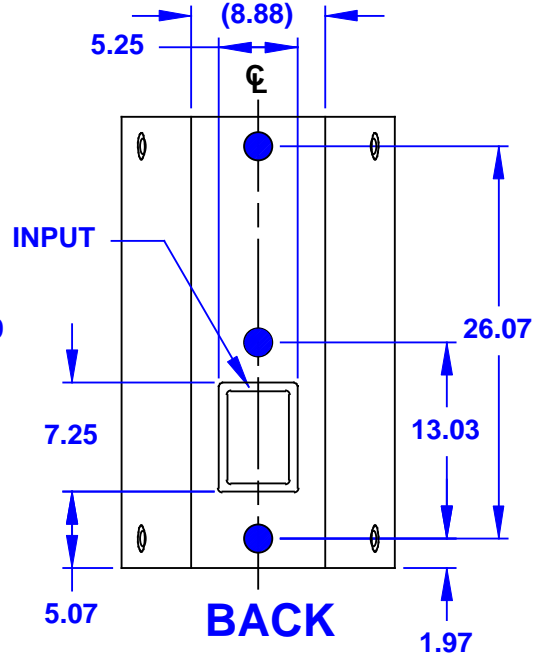
TOP
 DIMENSIONS APPLY TO TOP AND BOTTOM



GRILLE PARTIALLY SHOWN FRONT



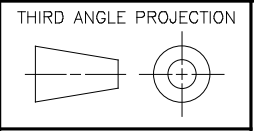
VIEW A-A
 DIMENSIONS APPLY TO BOTH SIDES



BACK

DOCUMENT CONTROL PER SPECIFICATION 4.5.201

MK5266



THIS DRAWING IS THE PROPERTY OF EAW AND SHALL NOT BE COPIED, REPRODUCED, OR USED AS THE BASIS FOR MANUFACTURE OR SALE OF APPARATUS WITHOUT WRITTEN AUTHORIZATION. DO NOT SCALE DRAWING.

UNLESS OTHERWISE SPECIFIED:
 ALL DIMENSIONS ARE IN INCHES
 TOLERANCE IN INCHES
 .XX ± .13
 ANGLES ± 1°
 (X.XX) = REF DIMS
 NO TOLERANCE IMPLIED
 T.S.C.=THEORETICAL SHARP CORNER
 DIMENSIONS ACROSS CENTERLINES TO BE SYMMETRICAL

STATUS: PROTOTYPE	
APPROVALS	DATE
DRAWN: DM	2/22/01
CHECKED:	
DES ENG:	
MFG ENG:	

EAW EASTERN ACOUSTIC WORKS ONE MAIN STREET WHITINSVILLE, MA 01588 USA	
TITLE: CABINET/FINISHED/MK5266 [MECHANICAL SPECIFICATION]	
A	SHEET 1 OF 1
SCALE: 1 TO 12	
DRAWING NUMBER: 509059	REVISION: A

C
B
A

C
B
A

1

2

3

4

VELLUM