



SPECIFICATIONS MQ2343D

FEATURES

- Dedicated horn loaded MF/HF array module
- Narrowest beamwidth in MQ Series: 45° H x 30° V
- 2x 10 in MF w/ Radial Phase Plug™; 2x 2 in exit HF
- 45° x 30° beamwidth
- Vertically configured to create horizontal arrays

DESCRIPTION

A dedicated mid/high system in a trapezoidal enclosure. Includes two horn-loaded 10 in MF cones and a two 2 in exit/3 in diaphragm neodymium compression drivers for extremely high output. The MF and HF horns have a nominal 45° x 30° beamwidth. An internal passive crossover with jumpers on the input panel allows user selection of either bi-amplified or passive operation. In either case digital signal processing is required to achieve specified performance. The enclosure features a comprehensive system of 3/8"-16 threaded suspension points.

APPLICATION

The MQ2343D employs a no-compromise high "Q" design where the mid and high frequency horns are truly large enough to provide optimal pattern control throughout each passband. The MQ2343D has been specifically designed to work with the horn-loaded BH2312 LF loudspeaker to create a full-range audio system. It may also be used with the MQ2315, MQ2412, and MQTD415 LF loudspeakers, or without a LF complement for voice-only applications. Dual HF components produce greater output than comparably-sized MQ2300 Series products for long throw applications.

PERFORMANCE

Frequency Response (1 W @ 1 m)

±3 dB	250 Hz to 15 kHz
-10 dB	200 Hz

Axial Sensitivity (dB SPL, 1 W @ 1 m)

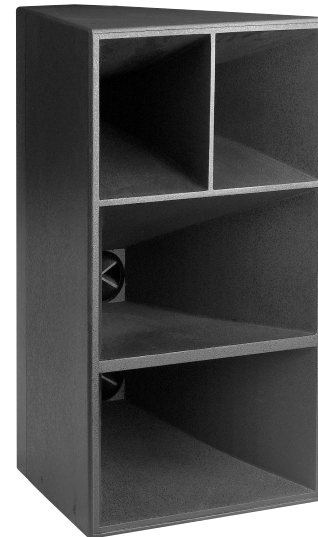
Passive	106
MF	109
HF	113

Impedance (Ohms)

Passive	4
MF	4
HF	4

Power Handling, (Watts, continuous)

Passive	675
MF	800
HF	300



Calculated Maximum Output (dB SPL)

Passive Peak	140
MF Peak	144
HF Peak	144
Passive Long Term	134
MF Long Term	138
HF Long Term	138

Nominal Coverage Angle/-6 dB points (degrees)

Horizontal	45
Vertical	30

Recommended High-Pass Frequency

24 dB/Octave	200 Hz
--------------	--------

PHYSICAL

Configuration	Mid/High
Powering	Passive or bi-amplified
MF Subsystem	2x 10 in horn loaded cones w/ Radial Phase Plug™
HF Subsystem	2x 2 in exit/3 in voice coil compression drivers on constant directivity horn
Enclosure Materials	Exterior grade Baltic birch plywood
Finish	Wear resistant textured black paint
Connectors	Terminal barrier strip
Suspension Hardware	16x 3/8"-16 threaded mounting suspension points (4 each top, bottom and sides)
Grille	Powder coated perforated steel

Dimensions

inches millimeters

Height	54.00	1372
Width (front)	32.00	813
Width (rear)	8.32	211
Depth	32.19	818
Trapezoid Angle	20° per side	

Weights

pounds kilograms

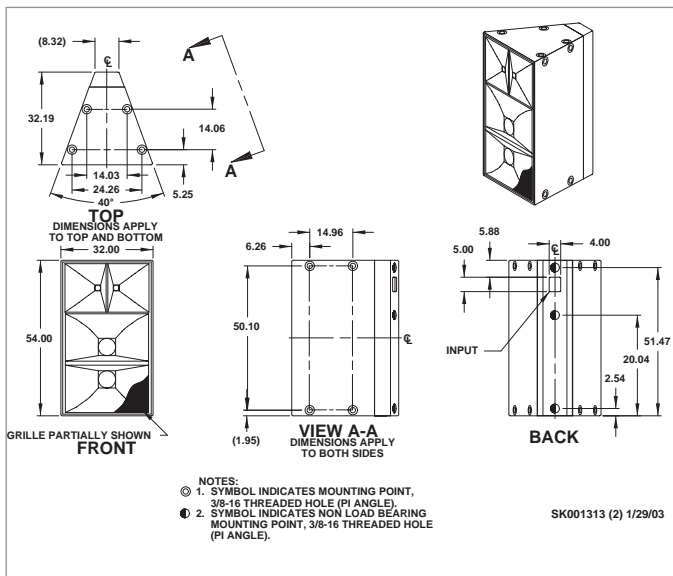
Net Weight	245	111.4
Shipping Weight	260	118.2





SPECIFICATIONS MQ2343D

DIMENSIONAL DRAWING



Manufacturing tolerances are +/- 0.13 and +/- 1°

PRELIMINARY

