

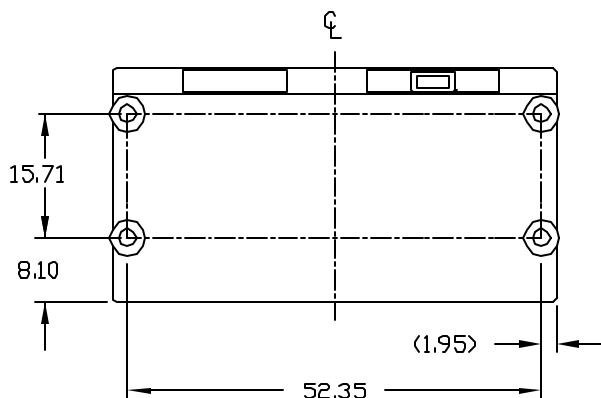


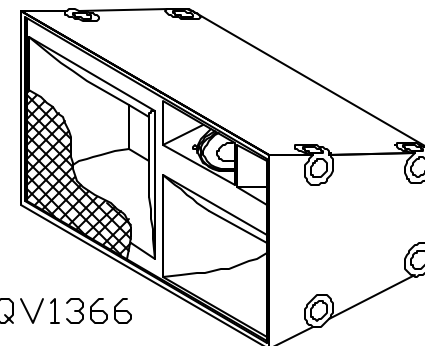
REV	DESCRIPTION	APVD/DATE
B	REVISED PER DSR 00-395 MFL 4/11/00	KFH 4/11/00

NOTES:

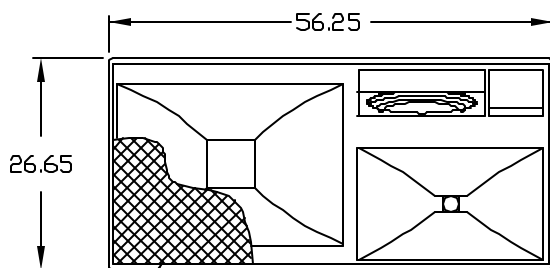
1. SYMBOL  INDICATES MOUNTING POINT, 3/8-16 THREADED HOLE (PI ANGLE).
2. SYMBOL  INDICATES CENTER OF BALANCE.
3. WEIGHT APPROX. 215 LBS.
4. SHIPPING WEIGHT APPROX. 240 LBS.



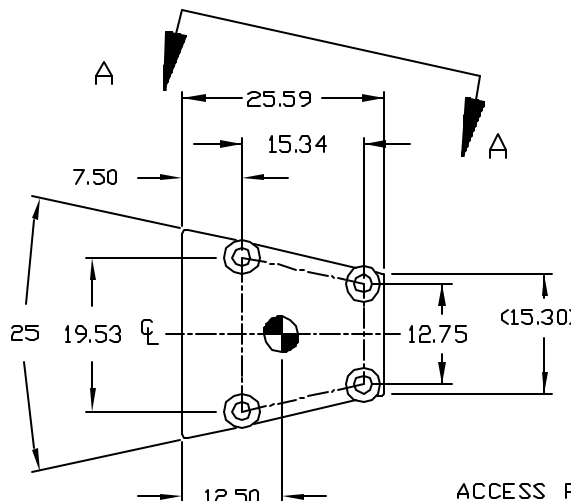
VIEW A-A
DIMENSIONS APPLY TO TOP & BOTTOM



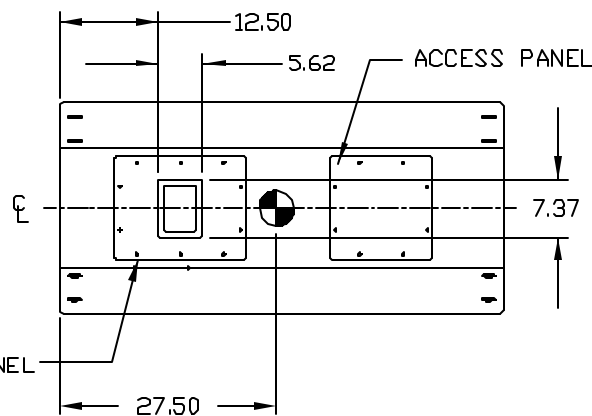
MQV1366



GRILLE PARTIALLY SHOWN
FRONT

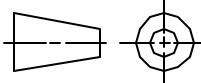


SIDES
DIMENSIONS APPLY TO BOTH SIDES



BACK

DOCUMENT CONTROL PER SPECIFICATION 4.5.201

<p>THIRD ANGLE PROJECTION</p> 	<p>UNLESS OTHERWISE SPECIFIED, ALL DIMENSIONS ARE IN INCHES TOLERANCE IN INCHES .XX ± .13 ANGLES ±1</p> <p>(XXX) = REF DIMS NO TOLERANCE IMPLIED T.S.C.=THEORETICAL SHARP CORNER DIMENSIONS ACROSS CENTERLINES TO BE SYMMETRICAL</p>	STATUS: PILOT		<p>BEAW EASTERN ACOUSTIC WORKS ONE MAIN STREET WHEATSVILLE, MA 01898 USA</p>	
		APPROVALS	DATE		TITLE
<p>THIS DRAWING IS THE PROPERTY OF EAW AND SHALL NOT BE COPIED, REPRODUCED, OR USED AS THE BASIS FOR MANUFACTURE OR SALE OF APPARATUS WITHOUT WRITTEN AUTHORIZATION. DO NOT SCALE DRAWING.</p>	<p>DRAWN: JRM</p> <p>CHECKED:</p> <p>DES ENG:</p> <p>MFG ENG:</p>	3/14/00	CABINET/FINISHED-MQV1366 [MECHANICAL SPECIFICATION]		
			A	SHEET 1 OF 1	SCALE: 1 TO 24
			DRAWING NUMBER: 509042	REVISION: B	